

PVA-15CST Call station

PAVIRO



- ▶ Call station with soft touch button for PAVIRO system
- ▶ 15 freely programmable buttons
- ▶ Customization via built-in display and keys
- ▶ Provision for installing emergency button and key switch
- ▶ EN 54-16 system certification

The PVA-15CST is a call station for the PAVIRO system.

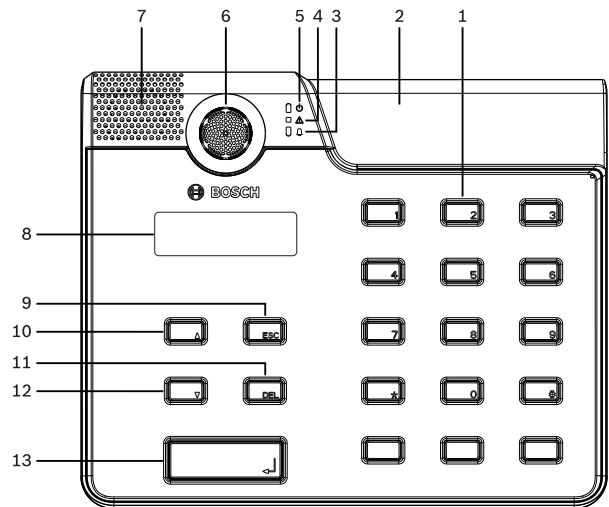
As standard, the call station has a gooseneck microphone with pop shield and permanent monitoring, a total of 20 buttons, an illuminated LC display, and an integrated loudspeaker.

The call station can be modified to suit the user's requirements by connecting up to five PVA-20CSE call station extensions, each with 20 customizable selection buttons.

Other properties:

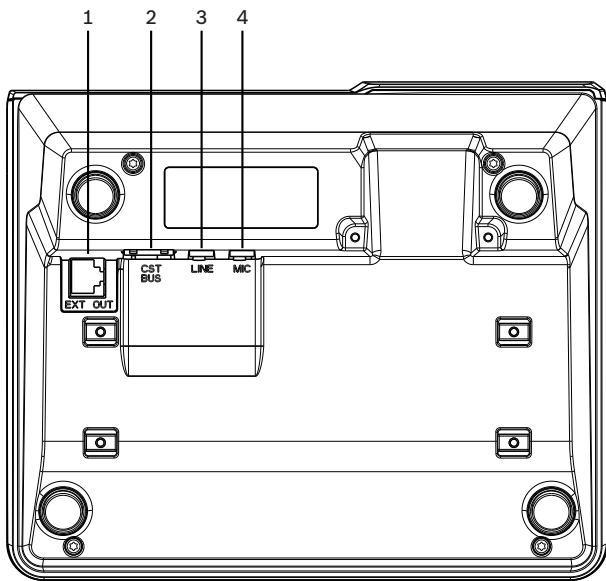
- Five menu/function keys (pre-programmed) - one green or one yellow indicator light per button
- 15 selection buttons (customizable) - two indicator lights (green/red) per button
- Numeric zone selection (can be activated during IRIS-Net configuration)
- Label with transparent covering - the label can be changed at any time
- Can be used as a standing or desk/rack flush-mounted device
- Internal monitoring with error logging - complies with all relevant national and international standards
- Easy configuration - use of the Configuration Wizard or IRIS-Net software

System overview



- 1 Selection buttons
- 2 Button installation slots
- 3 Voice alarm indicator light
- 4 Combined fault warning indicator light
- 5 Power indicator light
- 6 Microphone
- 7 Loudspeaker

- 8 Display
- 9 ESC button
- 10 ↑ button
- 11 DEL button
- 12 ↓ button
- 13 ↵ button



- 1 EXT OUT port
- 2 CST BUS port
- 3 LINE port
- 4 MIC port

Certifications and approvals

Emergency standard certifications

Europe	EN 54-16
--------	----------

Emergency standard compliance

UK	BS 5839-8
----	-----------

Austria	ÖNORM F 3033
---------	--------------

Environmental directive compliance

Safety	EN 62368-1
--------	------------

Immunity	EN 50130-4
----------	------------

Environmental directive compliance

Emissions	EN 61000-6-3 ICES-003 FCC-47 part 15B class A
-----------	---

Environment	EN 50581
-------------	----------

Maritime	EN 60945
----------	----------

Conformity

Europe	CE/CPR
--------	--------

USA	FCC
-----	-----

Canada	ICES
--------	------

Australia	RCM
-----------	-----

Korea	KCC
-------	-----

Russian Federation	EAC
--------------------	-----

Environment	RoHS
-------------	------

Parts included

Quantity	Component
1	PVA-15CST
1	Patch cable (3 meters)
7	Blank paper strips
1	Strain relief (bracket)
2	Screws for strain relief
1	Cover release tool
1	Operation manual
1	Important safety instructions

Technical specifications

Electrical

CAN BUS port	10, 20, or 62.5 kbit/s, 1 RJ-45, max. length 1000 m
--------------	---

Maximum mic input level	-21 dBu
-------------------------	---------

Maximum line input level	+4 dBu
--------------------------	--------

Maximum NF output level	+12 dBu
-------------------------	---------

Microphone:

<ul style="list-style-type: none"> Nominal acoustic input level Frequency response Signal to noise ratio 	<ul style="list-style-type: none"> 85 dB SPL 250 Hz - 10 kHz (-6dB) > 60dB
Buttons	5 pre-programmed, 15 programmable zone/function keys
Indicator lights	Power (green), Fault (yellow), Alarm (red) Green or yellow LED per pre-programmed menu button Green and red LED per programmable zone/function key
LC display	Back-lit LC display (122 32 pixel)
Ports	1 CST BUS port (Control data + Audio + Power supply, RJ-45) 1 audio source (line level, phone jack) 1 microphone port (phone jack) 1 EXT OUT port (call station extension, RJ-12)
DC power input	15-58 V

Maximum supply current (without call station extensions)	Standby/Idle/Announcement/Alert: 24 V / 80 mA / 1.92 W
Maximum supply current (with 5 call station extensions)	Standby/Idle/Announcement/Alert: 24 V / 190 mA / 4.56 W

Environmental

Operating temperature	-5 °C to +45 °C (+23 °F to +113 °F)
Storage temperature	-40°C to +70 °C (-40 °F to +158 °F)
Humidity (non-condensing)	5% to 90%
Altitude	Up to 2000 m

Mechanical

Dimensions (HxWxD)	166 mm x 200 mm x 66 mm (without microphone)
Weight (net)	0.6 kg
Mouting	Standalone; 19 in. rack
Color	Black

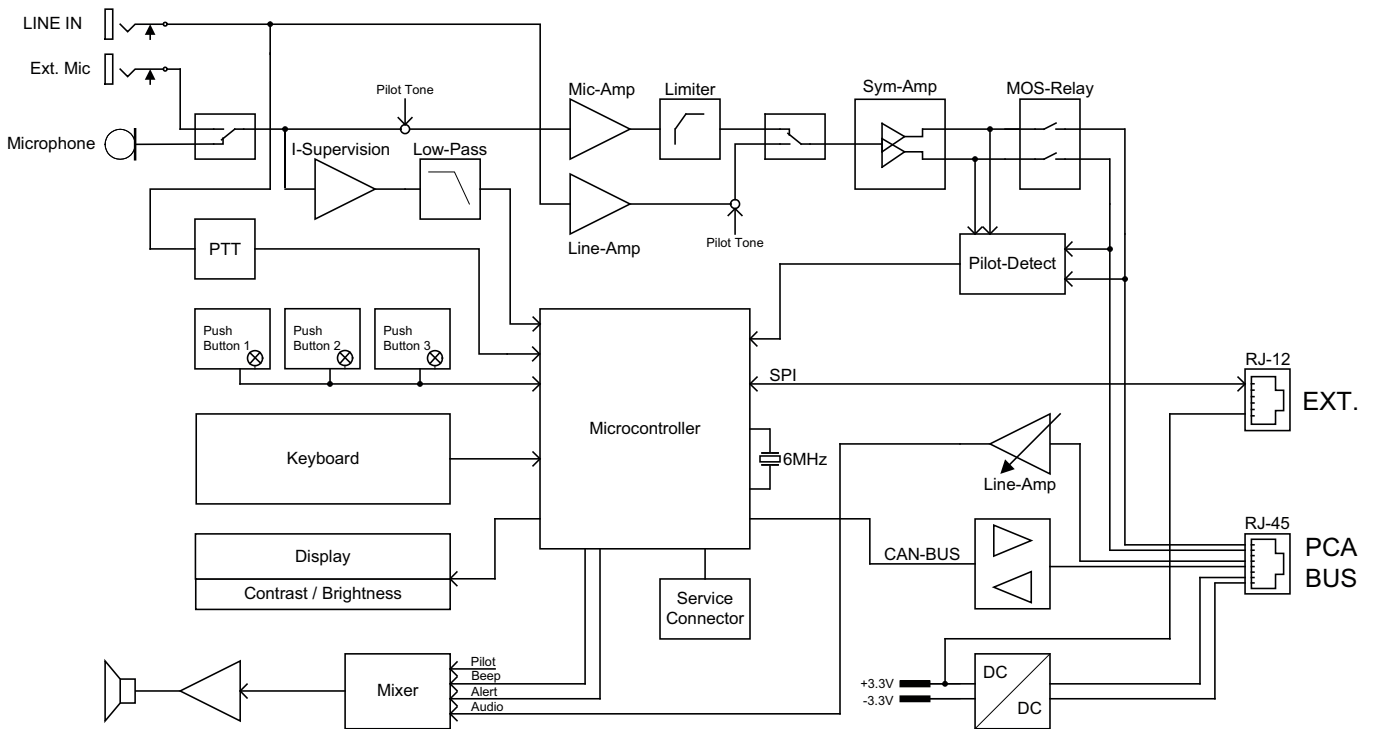


Fig. 1: Circuit diagram

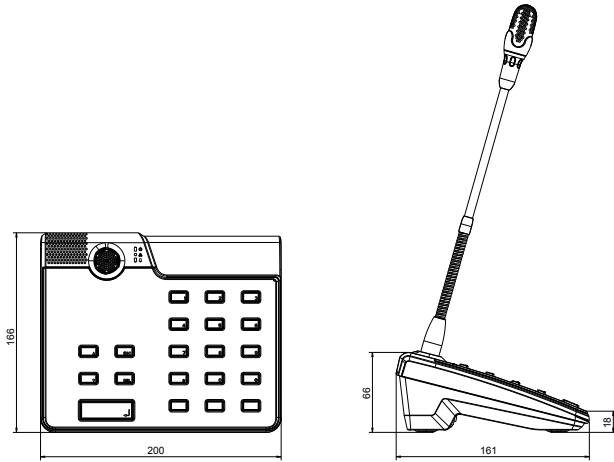


Fig. 2: Dimensions of Call Station

Ordering information

PVA-15CST Call station

Call station for the PAVIRO system; has gooseneck microphone with pop shield and permanent monitoring.
 Order number **PVA-15CST | F.01U.298.720**

Accessories

PVA-20CSE Call station extension

Call station extension for the PAVIRO system; has 20 customizable selection buttons.
 Order number **PVA-20CSE | F.01U.298.723**

PVA-1EB Call station emergency button

Optional emergency button that can be installed in the PVA-15CST Call station.
 Order number **PVA-1EB | F.01U.397.469 F.01U.312.985**

PVA-1KS Call station key switch

Optional key switch that can be installed in the PVA-15CST Call station.
 Order number **PVA-1KS | F.01U.312.984**

Services

EWE-CLSBAS-IW 12 mths wrty ext. Call Station basic

12 months warranty extension
 Order number **EWE-CLSBAS-IW | F.01U.360.680**

Represented by:

Europe, Middle East, Africa:
 Bosch Security Systems B.V.
 P.O. Box 80002
 5600 JB Eindhoven, The Netherlands
 Phone: + 31 40 2577 284
 emea.securitysystems@bosch.com
 emea.boschsecurity.com

Germany:
 Bosch Sicherheitssysteme GmbH
 Robert-Bosch-Ring 5
 85630 Grasbrunn
 Germany
 www.boschsecurity.com

North America:
 Bosch Security Systems, LLC
 130 Perinton Parkway
 Fairport, New York, 14450, USA
 Phone: +1 800 289 0096
 Fax: +1 585 223 9180
 onlinehelp@us.bosch.com
 www.boschsecurity.us

Asia-Pacific:
 Robert Bosch (SEA) Pte Ltd, Security Systems
 11 Bishan Street 21
 Singapore 573943
 Phone: +65 6571 2808
 Fax: +65 6571 2699
 apr.securitysystems@bosch.com
 www.boschsecurity.asia