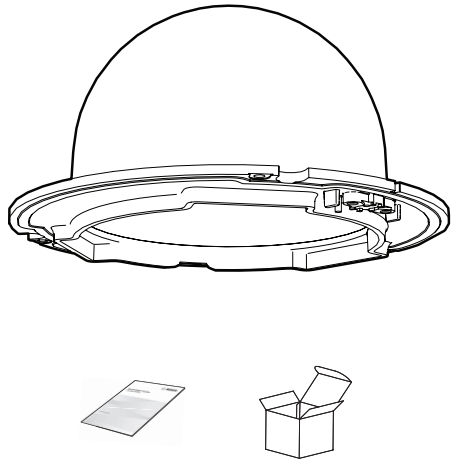
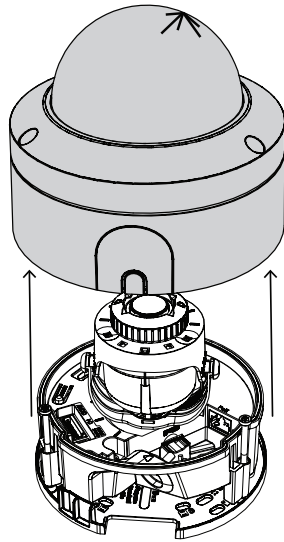


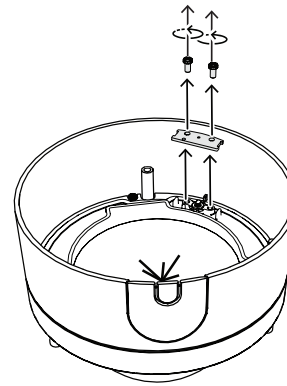
1 |



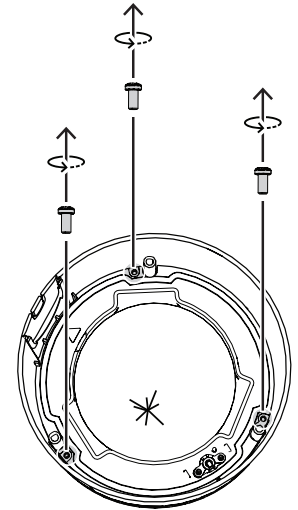
2 |



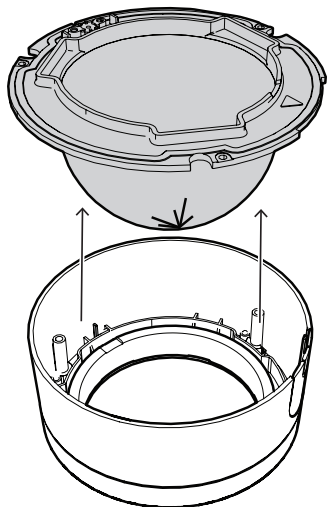
3 |



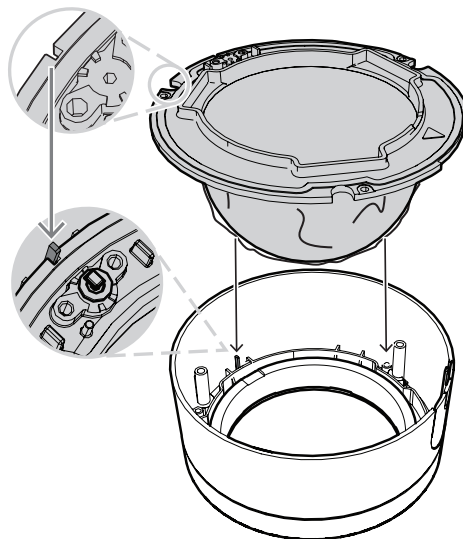
4 |



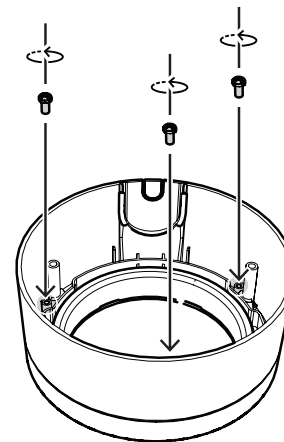
5 |



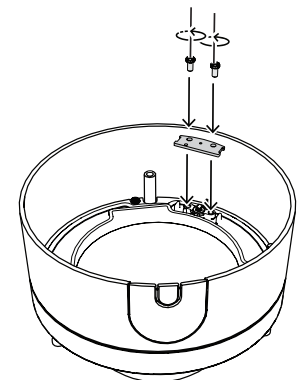
6 |

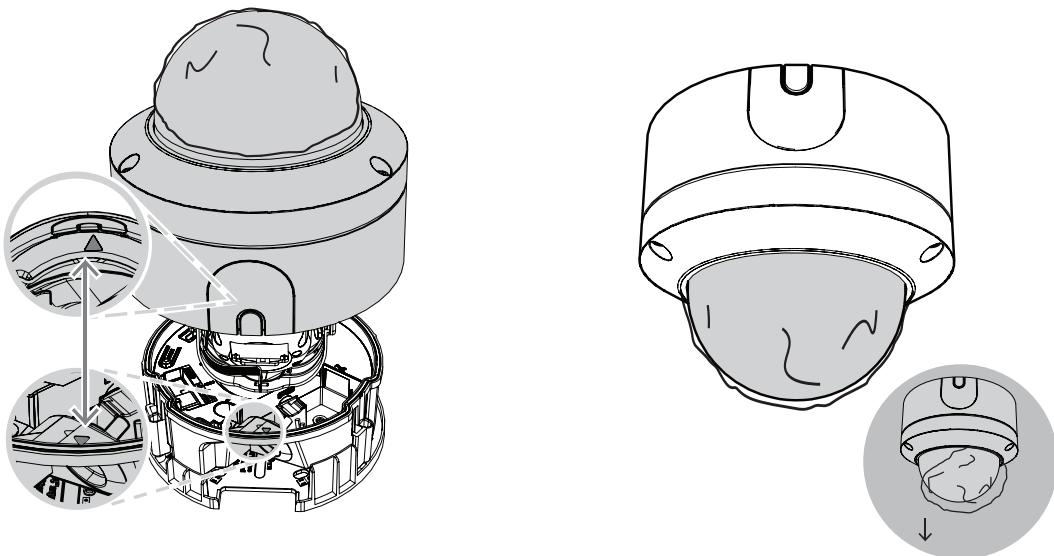


7 |



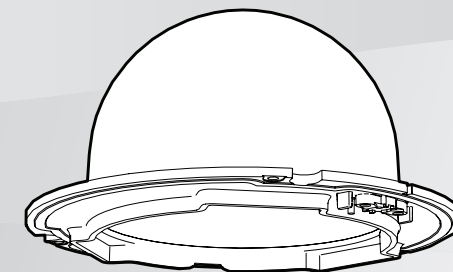
8 |





**Bubble, clear, FD 5100 IR**

NDA-5070-CBLI | NDA-5070-TBLI



en Quick installation guide

**Bosch Security Systems B.V.**  
Torenallee 49  
5617 BA Eindhoven  
Netherlands  
[www.boschsecurity.com](http://www.boschsecurity.com)  
© Bosch Security Systems B.V., 2021