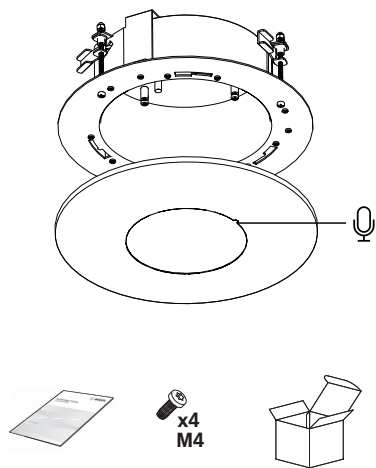
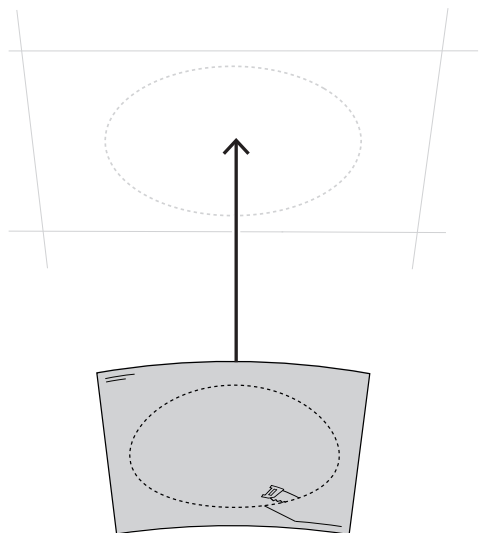


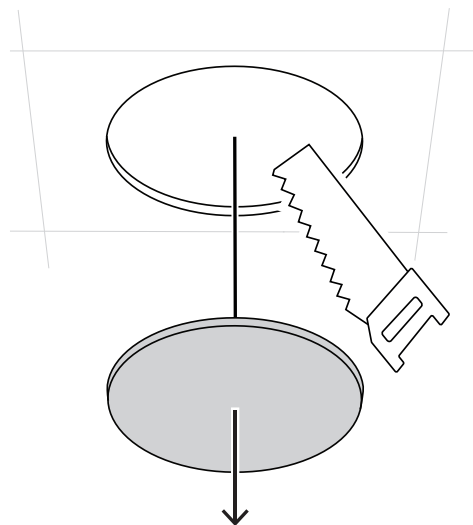
1 |



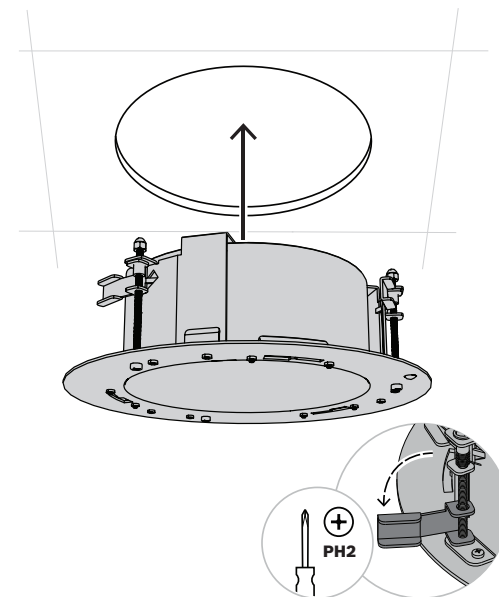
2 |



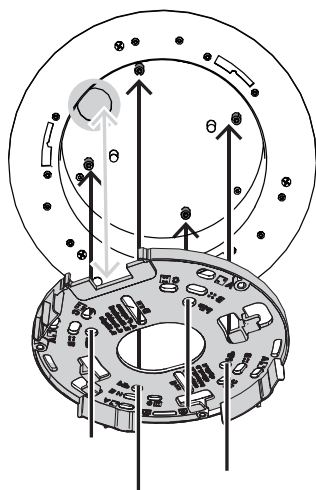
3 |



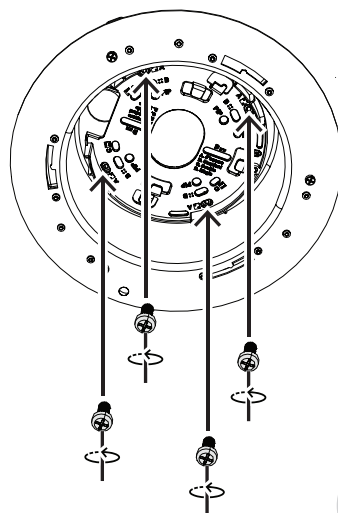
4 |



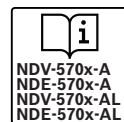
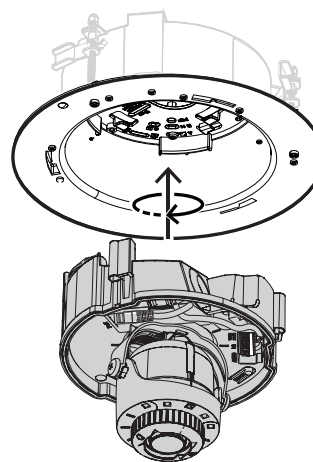
5 |



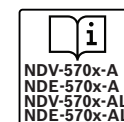
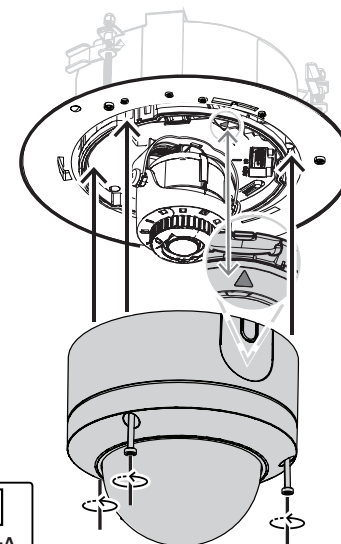
6 |

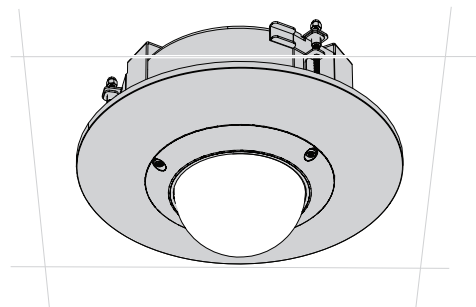
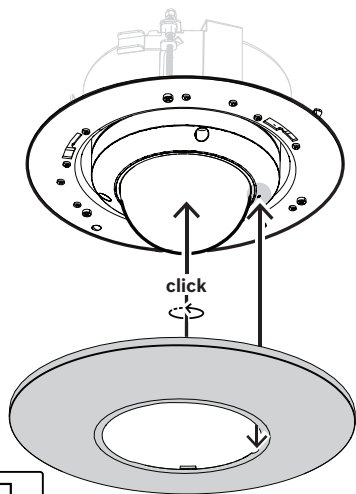


7 |

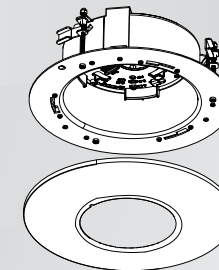


8 |





**In-ceiling plenum kit, 148mm**  
NDA-5070-PLEN



en Quick installation guide

**Bosch Security Systems B.V.**  
Torenallee 49  
5617 BA Eindhoven  
Netherlands  
[www.boschsecurity.com](http://www.boschsecurity.com)  
© Bosch Security Systems B.V., 2021