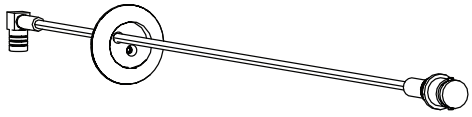
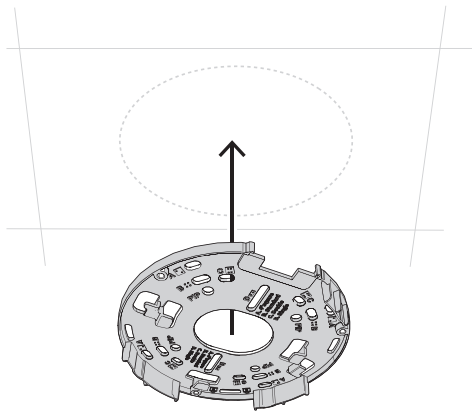


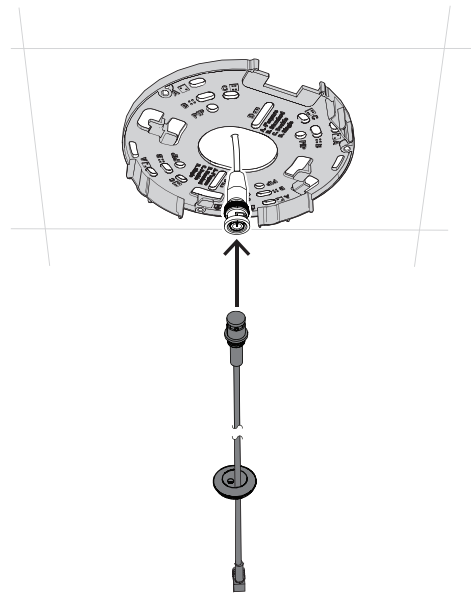
1 |



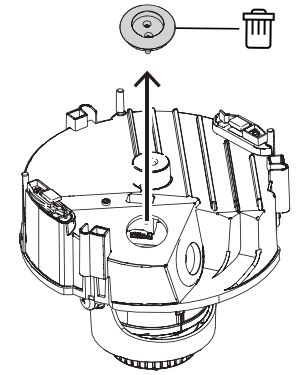
2 |



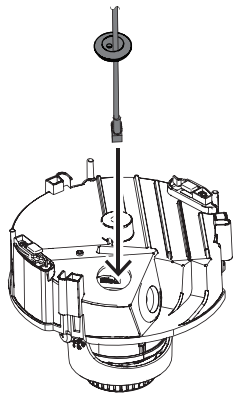
3 |



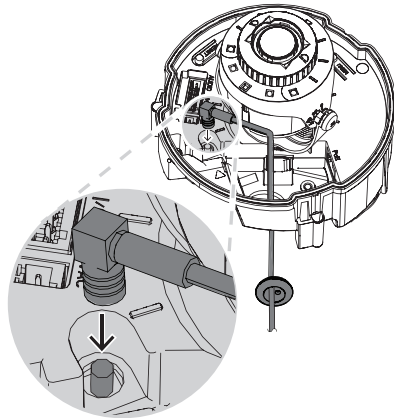
4 |



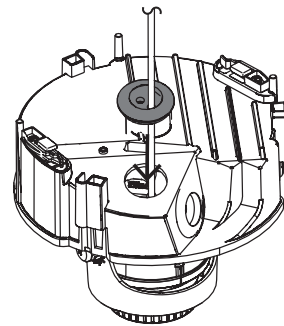
5 |



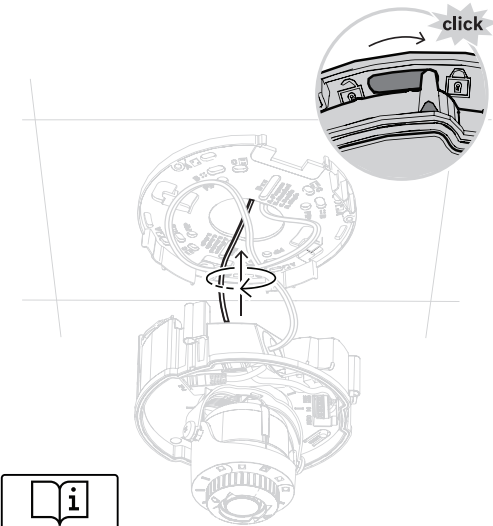
6 |



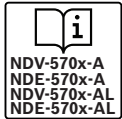
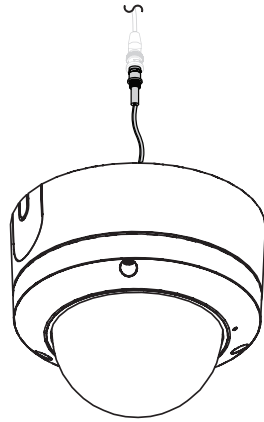
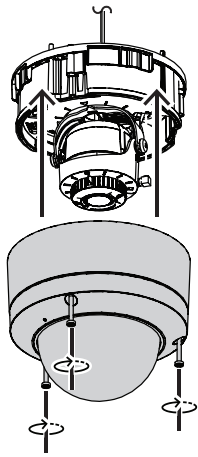
7 |



8 |



**i**  
 NDV-570x-A  
 NDE-570x-A  
 NDV-570x-AL  
 NDE-570x-AL



NDV-570x-A  
NDE-570x-A  
NDV-570x-AL  
NDE-570x-AL

**Cable, SMB to BNC, 0.3m\_3.0m**  
NDA-MCSMB-03M | NDA-MCSMB-30M



en Quick installation guide

**Bosch Security Systems B.V.**  
Torenallee 49  
5617 BA Eindhoven  
Netherlands  
[www.boschsecurity.com](http://www.boschsecurity.com)  
© Bosch Security Systems B.V., 2021