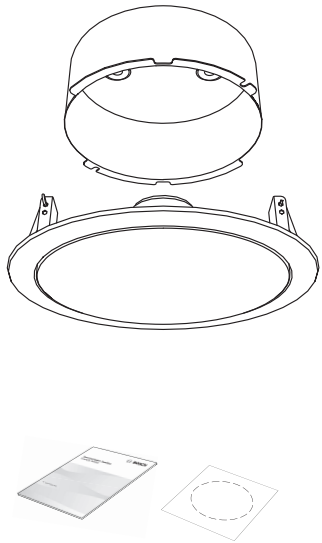
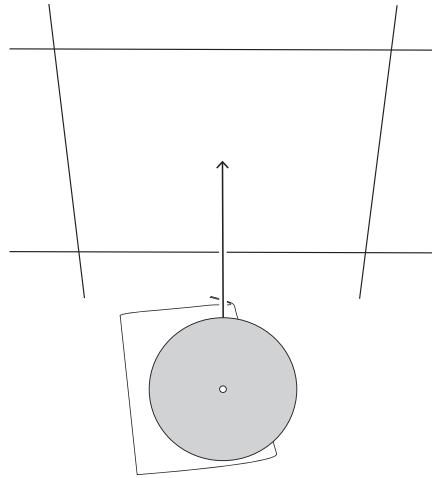


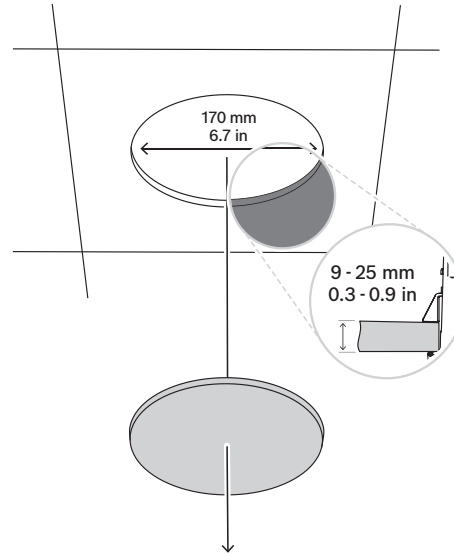
1 |



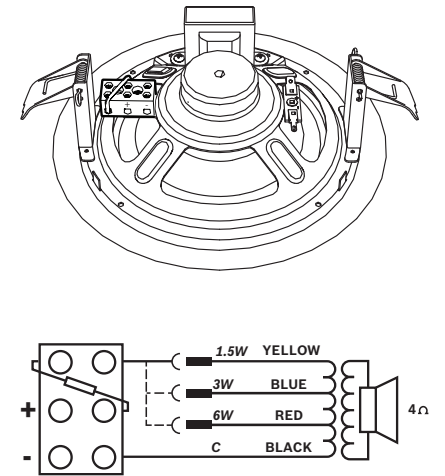
2 |



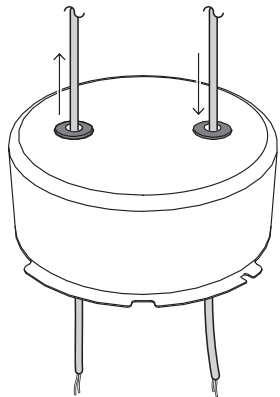
3 |



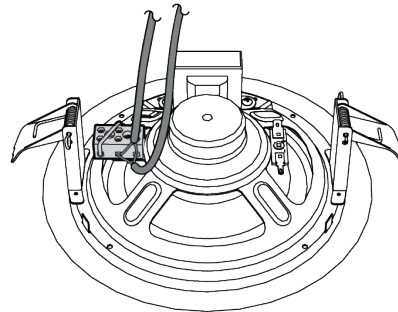
4 |



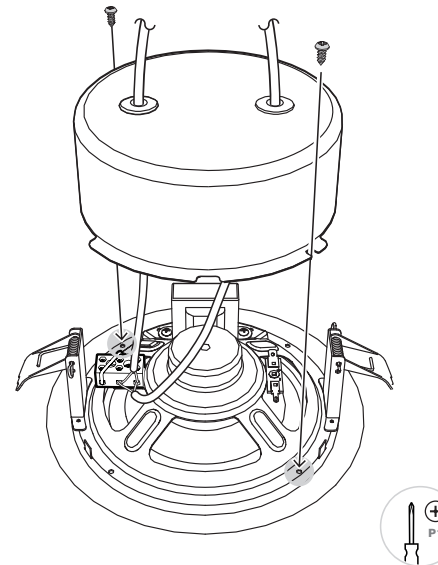
5 |



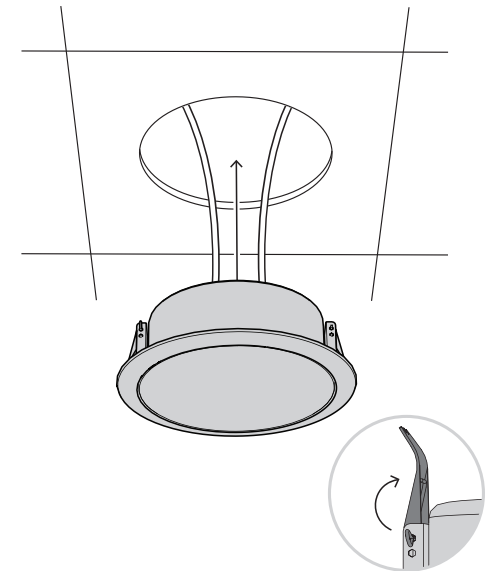
6 |

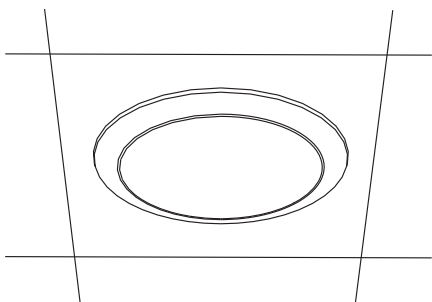


7 |



8 |





<https://commerce.boschsecurity.com/gb/en/Ceiling-loudspeaker-6W-metal/p/F.01U.377.177/>



**EN 54-24 DoP  
Datasheet**



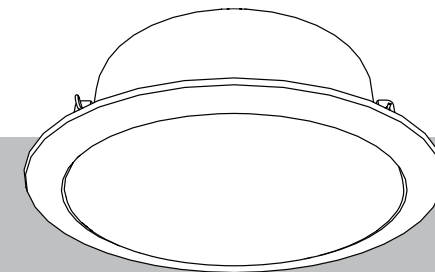
1438

Bosch Security Systems BV  
Torenallee 49, 5617 BA Eindhoven, the Netherlands  
21  
1438-CPR-0769

EN 54-24:2008  
Loudspeaker for voice alarm systems for fire detection  
and fire alarm systems for buildings

Ceiling loudspeaker 6W metal  
LC3-UM06E  
Type A  
DoP: LP022930

### Ceiling loudspeaker 6W metal LC3-UM06E



**en** Quick installation guide

#### **Bosch Security Systems B.V.**

Torenallee 49  
5617 BA Eindhoven  
Netherlands

**[www.boschsecurity.com](http://www.boschsecurity.com)**

© Bosch Security Systems B.V., 2023