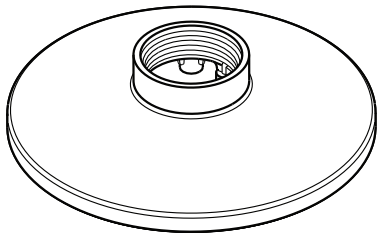
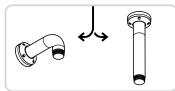
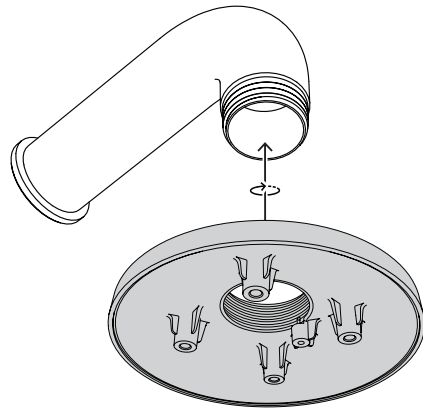


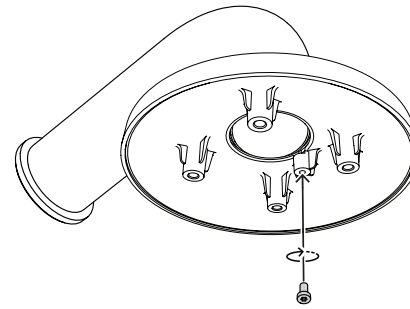
1 |



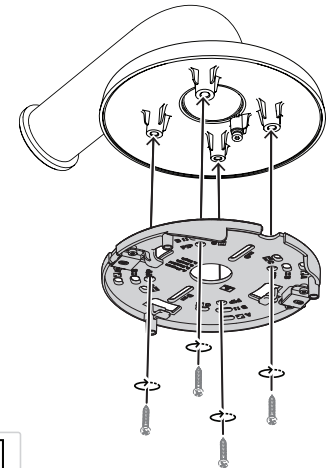
2 |



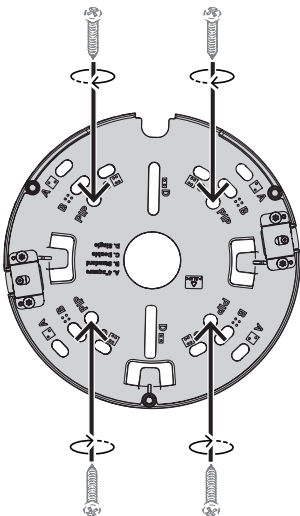
3 |



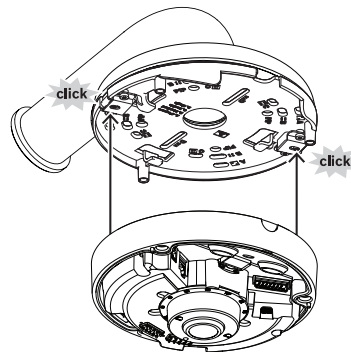
4 |



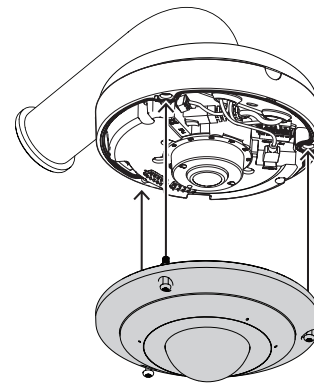
5 |



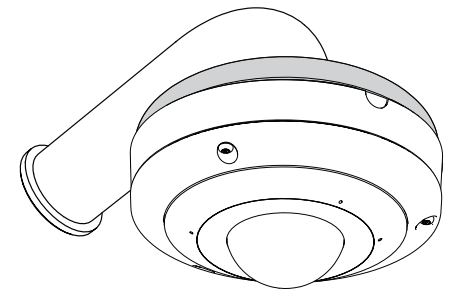
6 |



7 |

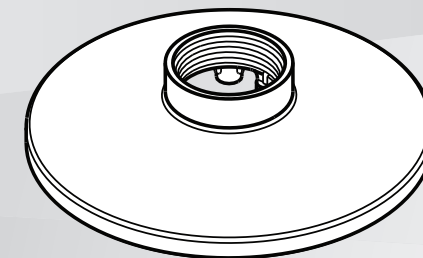


8 |



Pendant Interface Plate, 148mm

NDA-5080-PIP

**en** Quick installation guide**Bosch Security Systems B.V.**Torenallee 49
5617 BA Eindhoven
The Netherlands**www.boschsecurity.com**

© Bosch Security Systems B.V., 2021