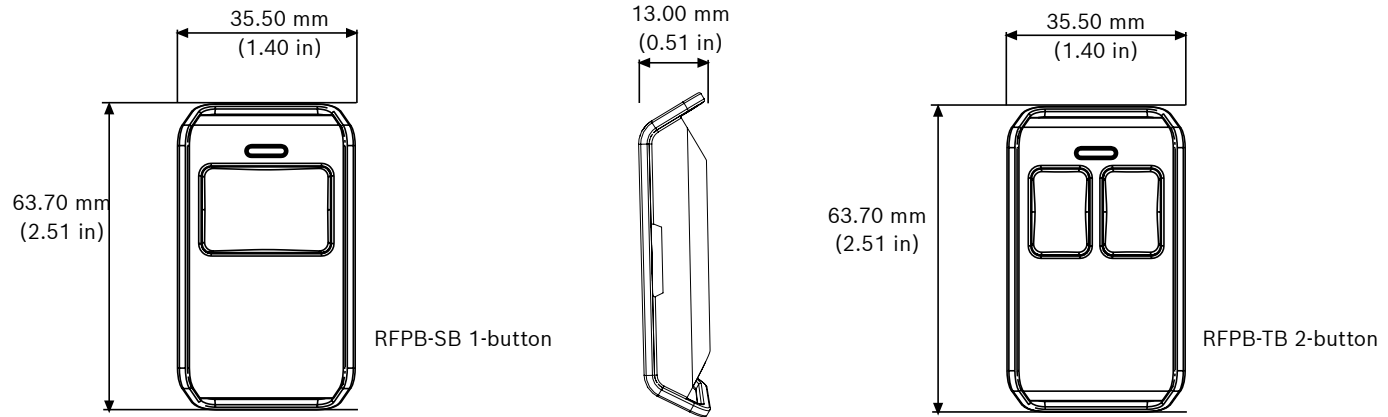


RADION panic TB-SB

RFPB-TB/RFPB-SB
RFPB-TB-A/RFPB-SB-A



Installation Guide



UL1023: Standard for Household Burglar Alarm System Units

Classified to ANSI/SIA CP01-2010 as it pertains to B5512 and GV4 Series control panels.
See respective control panel documentation for further information.



WARNING!

Ensure that the coin cell is kept out of the reach of children



Coin cells are dangerous and must never be swallowed or inserted into any other part of the body. If you suspect that someone has swallowed a coin cell or that a coin cell has entered the body in another way, seek medical attention immediately. Swallowing coin cells can result in severe internal burns and death within 2 hours.



0 - 93% Non-condensing humidity

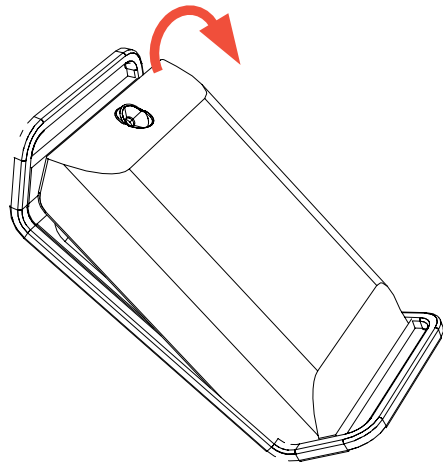
P/N: F.01U.261.834 - B810
P/N: F.01U.261.835 - RFRC-OPT
P/N: F.01U.304.662 - RADION TX

433.42 MHz

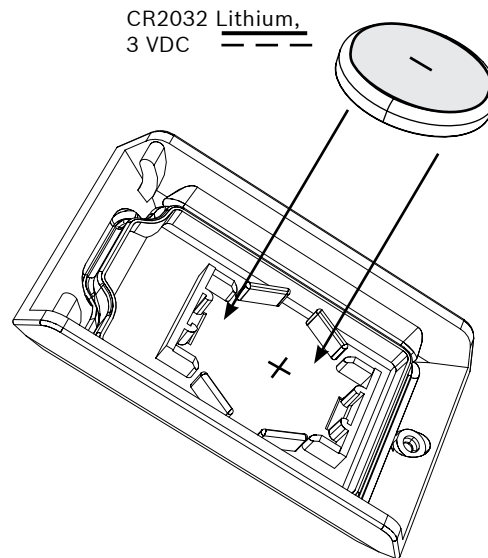


Functional range: -10°C to +49°C (+14°F to +120°F)
UL only: 0°C to +49°C (+32°F to +120°F)

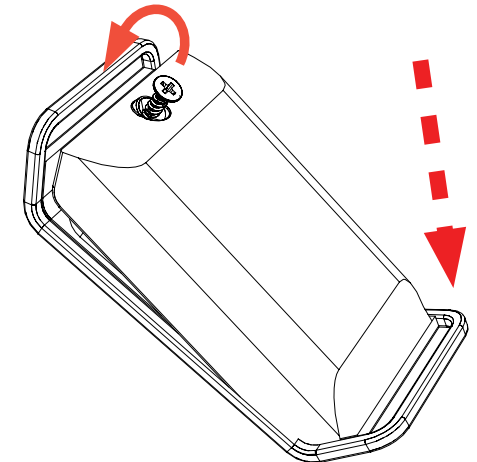
1



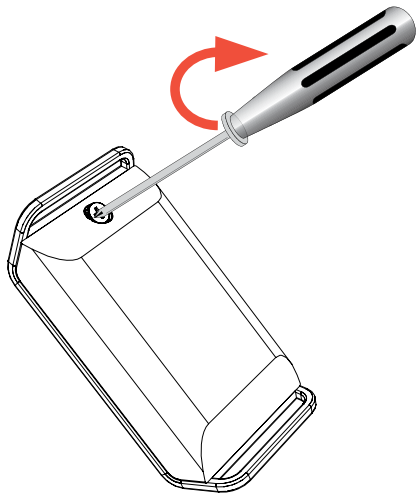
2



3



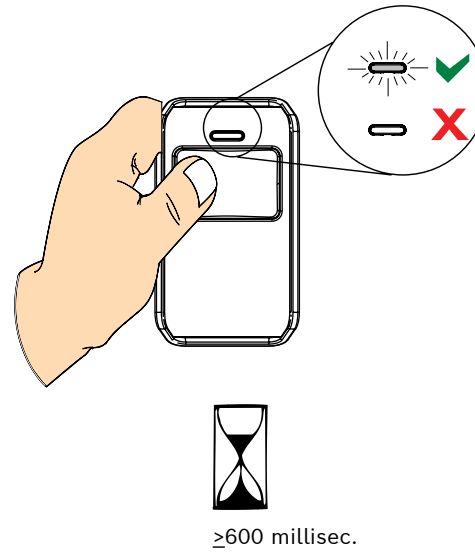
4



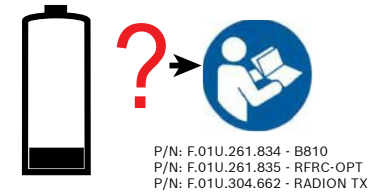
5



6



7



Copyright

This document is the intellectual property of Bosch Security Systems B.V. and is protected by copyright. All rights reserved.

Trademarks

All hardware and software product names used in this document are likely to be registered trademarks and must be treated accordingly.

Determine Bosch Security Systems B.V.. Product Manufacturing Dates

Use the serial number located on the product label and refer to the Bosch Security Systems B.V. web site at: <http://www.boschsecurity.com/datecodes/>.

