



Technical Bulletin

New Generation POPIT Noise Susceptibility

| Issue severity | Products affected |
|--|---|
| <input type="checkbox"/> High. Act immediately <input type="checkbox"/> Medium. Bosch Security Systems strongly recommends you take the action described below. | <ul style="list-style-type: none"> ▶ D9127T ▶ D9127U ▶ B9512G ▶ B8512G ▶ B299 ▶ D8125 |
| <input checked="" type="checkbox"/> Low. Advisory | |

Date

January 28, 2025

Issue

Bosch has discovered a performance issue with some D9127T and D9127U POPIT Input Modules. This issue is related to devices used on long wire runs and where electrical interference is present. It can cause the device to appear missing or to report using an incorrect address.

This issue **ONLY** affects D9127U shipped starting April 2024 and D9127T shipped starting August 2024.

Affected models can be identified by checking the material number printed on the product packaging. Material numbers F.01U.418.013 (D9127U) and F.01U.418.014 (D9127T) are affected.

Affected units can also be identified by looking for one small capacitor near the center of the printed circuit board (PCB). Previous versions had two stand up capacitors near the side of the PCB and are not affected.

Suggestions

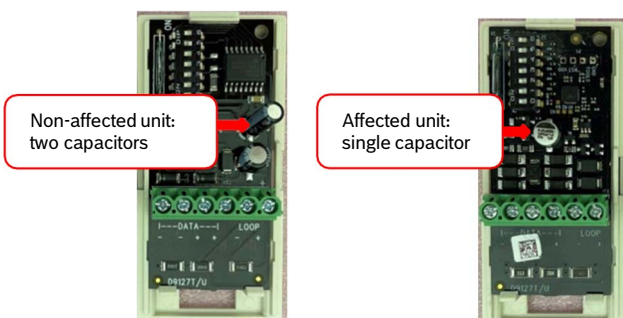
If you are experiencing this issue please try to follow the wiring practices as described below.

Items to avoid for best wiring practices

- Generators
- Transformers
- High voltage electrical panels
- Induction heaters
- Fluorescent light fixtures
- Electrical motors
- Medical equipment
- Factory machines/equipment
- High powered wireless transmitters

Old POPIT

New POPIT

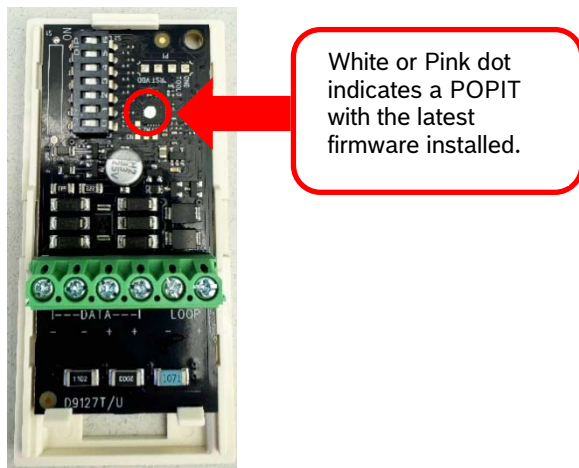


Resolution

Modifications have been made to improve the performance in these installations. You can identify which devices include this modification by observing the firmware version and the circuit board of the device.

This issue has been corrected in firmware version 1.0.1.

- Refer to the POPIT board. Locate and observe the White or Pink dot on the Micro Processor.



Bosch Security Systems B.V.

Torenallee 49
5617 BA Eindhoven
Netherlands

www.boschsecurity.com

© Bosch Security B.V., 2024