



# Technical Bulletin

## New Generation POPIT Noise Susceptibility

Issue severity	Products affected
<input type="checkbox"/> High. Act immediately <input type="checkbox"/> Medium. Bosch Security Systems strongly recommends you take the action described below.	<ul style="list-style-type: none"> <li>▶ D9127T-CHI</li> <li>▶ B9512G-CHI</li> <li>▶ B8512G-CHI</li> <li>▶ B299</li> <li>▶ D8125</li> </ul>
<input checked="" type="checkbox"/> Low. Advisory	

### Date

October 25, 2024

### Issue

Bosch has discovered a performance issue with some D9127T-CHI POPIT Input Modules. This issue is related to devices used on long wire runs and where electrical interference is present. It can cause the device to appear missing or to report using an incorrect address.

This issue **ONLY** affects D9127T-CHIs shipped starting April 2024 and D9127T shipped starting August 2024.

Affected models can be identified by checking the material number printed on the product packaging. Material numbers F.01U.418.089 (D9127T-CHI) are affected.

Affected units can also be identified by looking for one small capacitor near the center of the printed circuit board (PCB). Previous versions had two stand up capacitors near the side of the PCB and are not affected.

### Suggestions

If you are experiencing this issue please try to follow the wiring practices as described below.

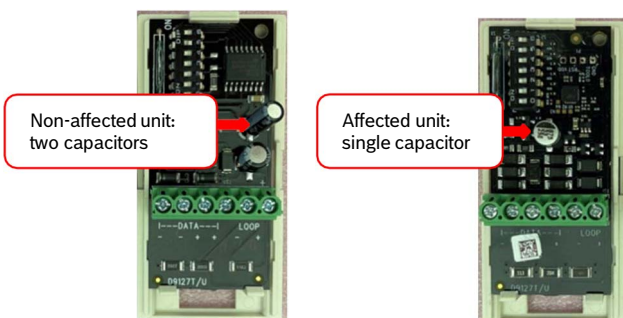
- Do not use T-Taps. Each wire run is on its own B299.
- Reduce the length of the wire run.
- Maintain 6 feet of separation between low voltage wiring and electrical motors.
- Maintain 6 feet of separation between low voltage and high voltage electrical cables.
- Always cross high voltage cables at a 90° angle.
- When possible, run low voltage wires inside of conduit with other low voltage only.

### Items to avoid

- Generators
- Transformers
- High voltage electrical panels
- Induction heaters
- Fluorescent light fixtures
- Electrical motors
- Medical equipment
- Factory machines/equipment
- High powered wireless transmitters

**Old POPIT**

**New POPIT**



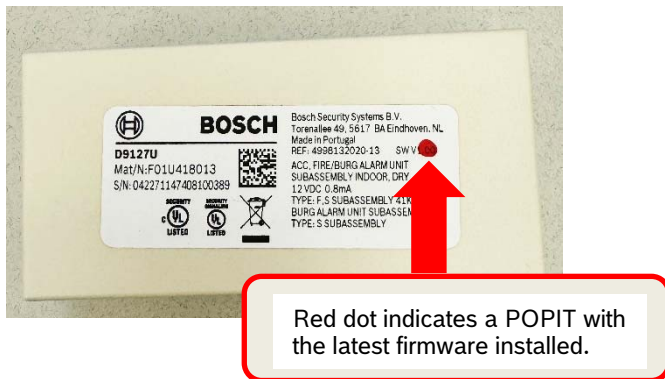
## Resolution

Modifications have been made to improve the performance in these installations. You can identify which devices include this modification by observing the packaging, enclosure and circuit board of the device.

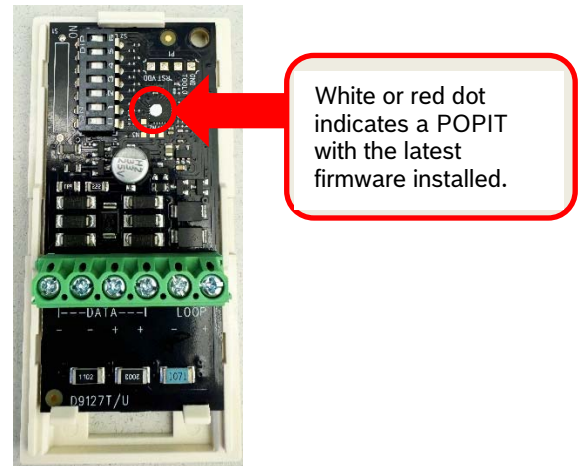
- Refer to the POPIT packaging. Locate and observe the Red dot on the product label.



- Refer to the POPIT mounting plate. Locate and observe the Red dot on the product.



- Refer to the POPIT board. Locate and observe the White dot on the Micro Processor.



### Bosch Security Systems B.V.

Torenallee 49  
5617 BA Eindhoven  
Netherlands  
[www.boschsecurity.com](http://www.boschsecurity.com)  
© Bosch Security B.V., 2024