

# UMM Series Public View Monitor Mounts

UMM-LP10B and UMM-LW10B









**BOSCH**

## **Important Safeguards**

1. **Read, Follow, and Retain Instructions** - All safety and operating instructions should be read and followed before operating the unit. Retain instructions for future reference.
2. **Heed Warnings** - Adhere to all warnings on the unit and in the operating instructions.
3. **Attachments** - Attachments not recommended by the product manufacturer should not be used, as they may cause hazards.
4. **Installation Cautions** - Do not place this unit on an unstable stand, tripod, bracket, or mount. The unit may fall, causing serious injury to a person and serious damage to the unit. Use only manufacturer-recommended accessories, or those sold with the product. Mount the unit per the manufacturer's instructions. Appliance and cart combination should be moved with care. Quick stops, excessive force, or uneven surfaces may cause the appliance and cart combination to overturn.
5. **Cleaning** - Unplug the unit from the outlet before cleaning. Follow any instructions provided with the unit. Generally, using a damp cloth for cleaning is sufficient. Do not use liquid cleaners or aerosol cleaners.
6. **Servicing** - Do not attempt to service this unit yourself. Opening or removing covers may expose you to dangerous voltage or other hazards. Refer all servicing to qualified service personnel.
7. **Damage Requiring Service** - Unplug the unit from the main AC power source and refer servicing to qualified service personnel under the following conditions:
  - When the power supply cord or plug is damaged.
  - If liquid has been spilled or an object has fallen into the unit.
  - If the unit has been exposed to water and/or inclement weather (rain, snow, etc.).
  - If the unit does not operate normally, when following the operating instructions. Adjust only those controls specified in the operating instructions. Improper adjustment of other controls may result in damage, and require extensive work by a qualified technician to restore the unit to normal operation.
  - If the unit has been dropped or the cabinet damaged.
  - If the unit exhibits a distinct change in performance, this indicates that service is needed.
8. **Replacement Parts** - When replacement parts are required, the service technician should use replacement parts specified by the manufacturer or that have the same characteristics as the original part. Unauthorized substitutions may result in fire, electrical shock or other hazards.
9. **Safety Check** - Upon completion of servicing or repairs to the unit, ask the service technician to perform safety checks to ensure proper operating condition.
10. **Power Sources** - Operate the unit only from the type of power source indicated on the label. If unsure of the type of power supply to use, contact your dealer or local power company.
  - For units intended to operate from battery power, refer to the operating instructions.
  - For units intended to operate with External Power Supplies, use only the recommended approved power supplies.
  - For units intended to operate with a limited power source, this power source must comply with EN60950. Substitutions may damage the unit or cause fire or shock.
  - For units intended to operate at 24VAC, normal input voltage is 24VAC. Voltage applied to the unit's power input should not exceed 30VAC.
 User-supplied wiring, from the 24VAC supply to unit, must be in compliance with electrical codes (Class 2 power levels). Do not ground the 24VAC supply at the terminals or at the unit's power supply terminals.
11. **Coax Grounding** - If an outside cable system is connected to the unit, ensure that the cable system is grounded. U.S.A. models only - Section 810 of the National Electrical Code, ANSI/NFPA No.70, provides information regarding proper grounding of the mount and supporting structure, grounding of the coax to a discharge unit, size of grounding conductors, location of discharge unit, connection to grounding electrodes, and requirements for the grounding electrode.
12. **Grounding** - This unit may be equipped with a 3-wire grounding plug (a plug with a third pin, for grounding). This safety feature allows the plug to fit into a grounding power outlet only. If unable to insert the plug into the outlet, contact an electrician to arrange replacement of the obsolete outlet. Do not defeat the safety purpose of the grounding plug.
  - Outdoor equipment should only be connected to the unit's inputs after this unit has had its grounding plug connected to a grounded outlet or its ground terminal properly connected to a ground source.
  - The unit's input connectors must be disconnected from outdoor equipment before disconnecting the grounding plug or grounding terminal.
  - Proper safety precautions such as grounding should be followed for any outdoor device connected to this unit.
13. **Lightning** - For added protection during a lightning storm, or when this unit is left unattended and unused for long periods of time, unplug the unit from the wall outlet and disconnect the cable system. This will prevent damage to the unit due to lightning and power line surges.

## Safety Precautions

	<b>CAUTION</b> RISK OF ELECTRIC SHOCK. DO NOT OPEN!	
<b>CAUTION: TO REDUCE THE RISK OF ELECTRIC SHOCK, DO NOT REMOVE COVER (OR BACK). NO USER SERVICEABLE PARTS INSIDE. REFER SERVICING TO QUALIFIED SERVICE PERSONNEL.</b>		
	This symbol indicates the presence of uninsulated "dangerous voltage" within the product's enclosure that can cause an electric shock.	
	This symbol indicates the presence of important operating and maintenance (servicing) instructions in the literature accompanying the appliance.	
	Installation should be performed by qualified service personnel only in accordance with the National Electrical Code or applicable local codes.	
	Power Disconnect. Units with or without ON-OFF switches have power supplied to the unit whenever the power cord is inserted into the power source; however, the unit is operational only when the ON-OFF switch is in the ON position. The power cord is the main power disconnect for all units.	

## Sécurité

Attention : l'installation doit exclusivement être réalisée par du

	<b>ATTENTION</b> RISQUE D'ÉLECTROCUTION. NE PAS OUVRIR !	
<b>ATTENTION : POUR ÉVITER TOUT RISQUE D'ÉLECTROCUTION, N'ESSEYER PAS DE RETIRER LE CAPOT (OU LE PANNEAU ARRIÈRE). CET APPAREIL NE CONTIENT AUCUN COMPOSANT SUSCEPTIBLE D'ÊTRE RÉPARÉ PAR L'UTILISATEUR. CONFIEZ LA RÉPARATION DE L'APPAREIL À DU PERSONNEL QUALIFIÉ.</b>		
	Ce symbole signale que le produit renferme une « tension potentiellement dangereuse » non isolée susceptible de provoquer une électrocution.	
	Ce symbole invite l'utilisateur à consulter les instructions d'utilisation et d'entretien (dépannage) reprises dans la documentation qui accompagne l'appareil.	
	Attention: l'installation doit exclusivement être réalisée par du personnel qualifié, conformément au code national d'électricité américain (NEC) ou au code d'électricité local en vigueur.	
	Coupe de l'alimentation. Qu'ils soient pourvus ou non d'un commutateur ON/OFF, tous les appareils reçoivent de l'énergie une fois le cordon branché sur la source d'alimentation. Toutefois, l'appareil ne fonctionne réellement que lorsque le commutateur est réglé sur ON. Le débranchement du cordon d'alimentation permet de couper l'alimentation des appareils.	

## Preface

This guide describes how to mount the UMS Series Public View Monitor using the UMM-LP10 Feed-through Pipe Mount or the UMM-LW10 Feed-through Wall Mount.

## Audience

This guide is intended for qualified installation and service personnel who are familiar with the applicable national and local electrical codes.

## Document Conventions

Convention	Meaning
<b>Bold</b>	Denotes a part, item, or assembly.
<b><i>Bold Italic</i></b>	Denotes a reference to another paragraph, figure or table.
<u>Underline</u>	Used to emphasize a point.

## Customer Support and Service

If this unit needs service, contact the nearest Bosch Security Systems Service Center for authorization to return and shipping instructions.

### Service Centers

#### USA

Phone: 800-366-2283 or 585-340-4162

Fax: 800-366-1329

Email: [cctv.repair@us.bosch.com](mailto:cctv.repair@us.bosch.com)

#### CCTV Spare Parts

Phone: 800-894-5215 or 408-957-3065

Fax: 408-935-5938

Email: [BoschCCTVparts@ca.slr.com](mailto:BoschCCTVparts@ca.slr.com)

#### Canada

Phone: 514-738-2434

Fax: 514-738-8480

#### Europe, Middle East & Asia Pacific Region

Phone: 44 (0) 1495 274558

Fax: 44 (0) 1495 274280

Email: [rmahelpdesk@solectron.com](mailto:rmahelpdesk@solectron.com)

For additional information, see [www.boschsecurity.com](http://www.boschsecurity.com)

## Related Publications

Refer to the latest Bosch Security Systems Databook for the most up-to-date datasheets. To obtain a copy of the Databook, please contact your local Bosch representative.

You can also visit the Bosch Security Systems World Wide Web site at:

<http://www.boschsecurity.com> to view a current listings of our publications.



# Table of Contents

---

<b>1</b>	<b>Unpacking</b>	<b>1</b>
1.1	1.1 Parts List	1
<b>2</b>	<b>Description</b>	<b>2</b>
<b>3</b>	<b>Installation</b>	<b>3</b>
3.1	Wiring Requirements	3
3.2	Installing the Feed-through Pipe Mount (UMM-LP10B)	4
3.2.1	Mounting the UMS Public View Monitor to a freely rotating pipe mount:	5
3.2.2	Mounting the UMS Public View Monitor to a stationary pipe mount:	7
3.3	Installing the Feed-through Wall Mount (UMM-LW10B)	9
<b>4</b>	<b>Dimensional Outlines</b>	<b>11</b>

---



# 1 Unpacking

This equipment should be unpacked and handled with care. If an item appears to have been damaged in shipment, notify the shipper. Verify that all parts shown in the Parts List are included. If any items are missing, notify your Bosch Security Systems Sales or Customer Service Representative.

The original packing carton is the safest container in which to transport the unit. Save it for possible future use.

## 1.1 1.1 Parts List

The following table lists the components:

Qty	Item
<b>UMM-LP10B 10-inch Mount</b>	
1	UMM-LP10B mount
1	Mounting Hardware Kit Four (4) 10-24 x 3/8 in. BHC SS patch lock screws Four (4) washers One (1) Allen wrench, 1/8-in.
1	This mounting manual
<b>UMM-LW10B 12-inch Mount</b>	
1	UMM-LW10B mount
1	Mounting Hardware Kit Four (4) 10-24 x 3/8 in. BHC SS patch lock screws Four (4) washers One (1) Allen wrench, 1/8-in.
1	This mounting manual



## 2 **Description**

The UMM Series is a mounting solution designed to install an LCD monitor to a pipe or to a wall. The UMM-LP10B and UMM-LW10B mounts are capable of supporting a maximum load of 25 lbs (11.34 Kg).

## 3 Installation

This section provides detailed instructions on how to install the UMM-LP10B Feed-through Pipe Mount and the UMM-LW10B Feed-through Wall Mount.

### 3.1 Wiring Requirements

Both UMS Public View Monitor models (UMS-20xxxA and UMS-20xxxC) feature various connectors used to transmit video, receive video and to deliver power to the unit. The table below summarizes the types of connectors and their use:

<b>Video Out</b>	All models have a looping video output cable that is connected to the internal camera. Use this output to connect the camera to a video recording device. You must terminate the coax cable with an appropriate male BNC connector.
<b>Video In</b>	The UMS-20xxxA model has an optional coax input cable that can connect to an external video source (such as another camera or a DVD player) to display external images.
<b>Power</b>	All models have 24 VAC power leads coming from the UMS Series Public View monitor and have been prepared by the manufacturer. The distances for the various gauges or power leads for the UMS Public View Monitor Series are listed inside the cover of the power supply and in the <i>UMS Series Public View Monitor Installation Manual</i> (F01U029703). If you are using these mounts with a monitor other than the UMS Series, refer to the wiring requirements for the monitor.

Before the UMS Public View Monitor is mounted, prepare the external 24 VAC power leads as follows:

1. Leave six (6) inches of the external 24 VAC power leads extended beyond the wall or the end of the pipe mount.
2. Strip the outer jackets of the external 24 VAC power leads back by four (4) inches.
3. Stagger the power leads by cutting one power lead two (2) inches shorter than the other. This step is important to ensure that the power leads, when connected to the Wago® clamps, fit through the entrances to the feed-through mounts.
4. Strip the ends of both leads by a 1/2 in.

### 3.2 Installing the Feed-through Pipe Mount (UMM-LP10B)

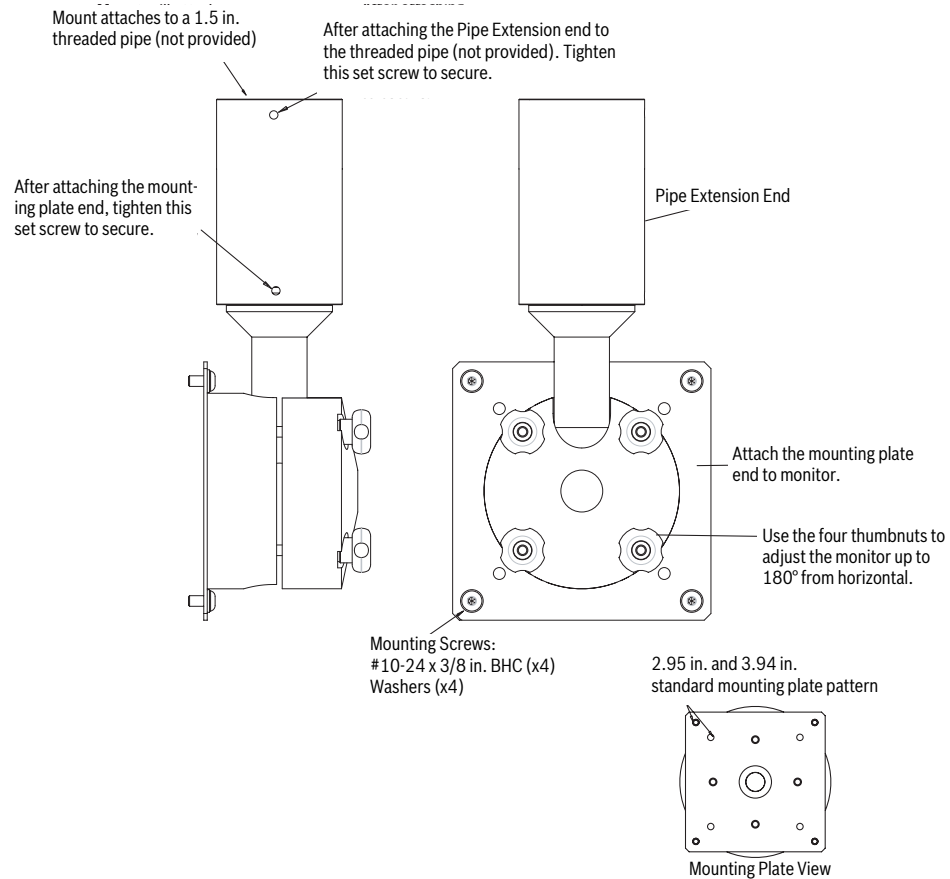
This mount attaches to a 1.5-in. NPT pipe (not provided). Ensure that you have the contents of the UMM-LP10B Hardware Kit, the two (2) Wago® clamps (included with the UMS Public View Monitor packaging) and a 3/32-in. Allen Wrench (not included). The combined weight of the monitor and the mount is 16 lbs (7.26 Kg).



**CAUTION!** Installation should be performed by qualified service installers only, using construction methods in accordance with applicable local codes and standards.

**CAUTION!** Do not exceed the maximum rated load for the particular mount used.

The figure below illustrates the components of the UMM-LP10B Feed-through Pipe Mount:

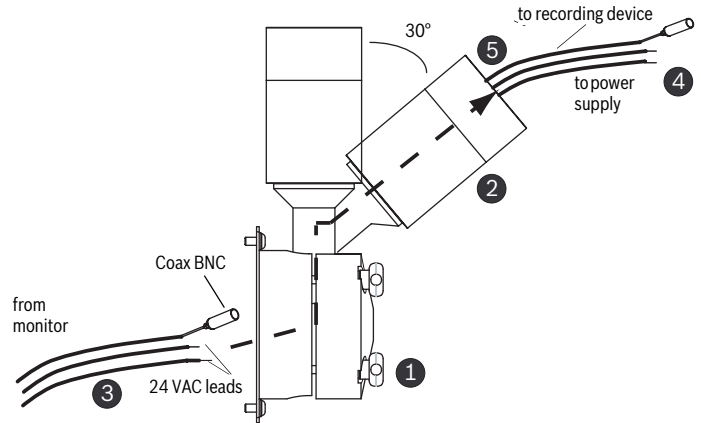


**Fig. 3.1** UMM-LP10B Feed-through Pipe Mount Components

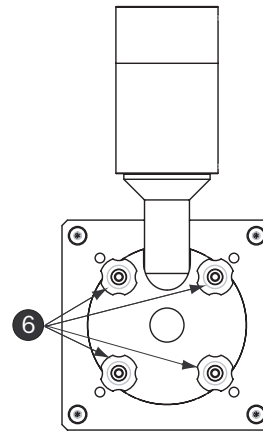
The instructions for using this mount depends if the pipe can rotate freely or if the pipe is fixed. Use the appropriate instructions below.

### 3.2.1 Mounting the UMS Public View Monitor to a freely rotating pipe mount:

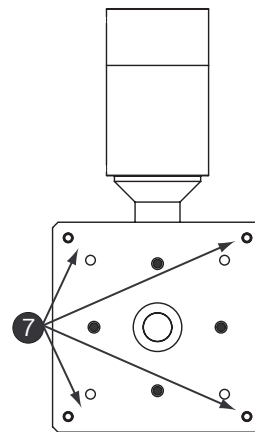
1. Loosen the four (4) thumbnuts enough to allow the pipe extension to rotate.
2. Tilt the pipe extension end approximately 30° to allow the cables to feed through easily.
3. Feed the cables from the back of the UMS Public View Monitor into the middle of the mounting plate; then thread the cables up through the mount. Pull the wires through the top of the pipe extension end. Leave six (6) inches of the cables exposed.
4. Connect one (1) Wago clamp to the end of each power lead.
5. Use tape to temporarily secure the wires to the top of the pipe extension end.



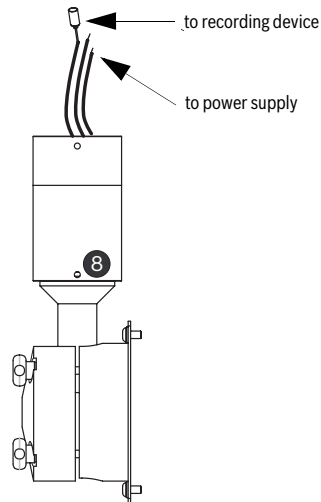
6. Rotate the pipe extension end to the 12 o'clock position. Then, tighten the thumbnuts.



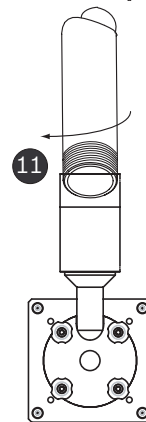
7. Attach the mounting plate end of the UMM-LP10B to the monitor using the four (4) screws and four (4) washers provided in the hardware kit. Tighten securely.



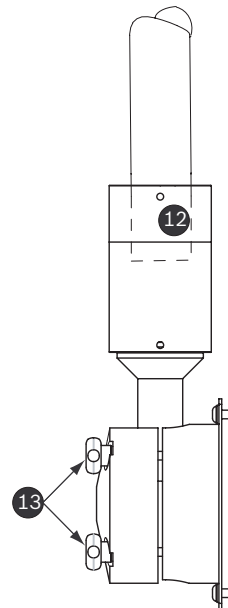
8. Tighten the set screw to secure the mounting plate end.
9. Remove the tape from the cables.
10. Connect the external 24 VAC power leads from the power supply to the unused end of the Wago clamp, which is connected to power leads from the monitor. Connect the coax cables if necessary.



11. Screw the 1.5-in. threaded pipe (not included) into the pipe extension by turning into the pipe extension clockwise.

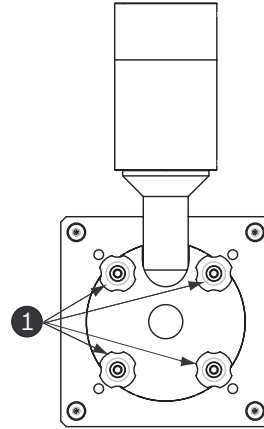


12. Tighten the set screw to secure the pipe extension end to the threaded pipe.
13. Adjust the monitor to the desired position and secure using the four (4) thumbnuts.

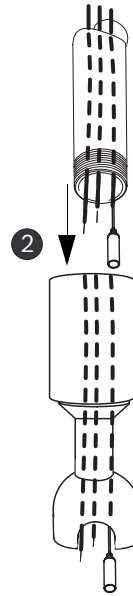


**3.2.2 Mounting the UMS Public View Monitor to a stationary pipe mount:**

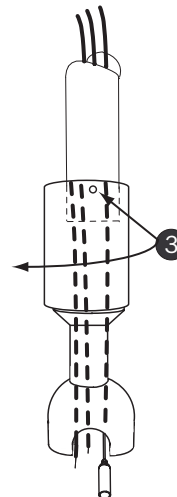
1. Carefully remove the four (4) thumbnuts and washers from the back of the mounting plate. Then, separate the pipe extension end from the mounting plate.



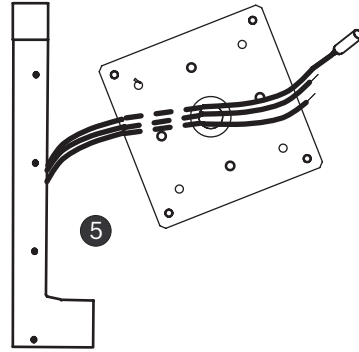
2. Feed the 24 VAC power leads from the power supply and the coax cable (if present) into the end of the pipe and through the pipe extension.



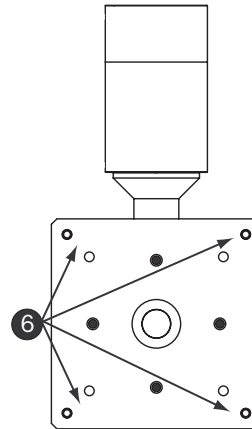
3. Tighten the pipe extension end securely onto the end of the pipe. Tighten only the top set screw at this time.



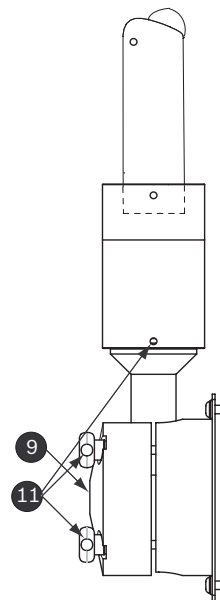
4. Ensure that the power leads from the monitor are staggered (or offset).
5. Feed the cables from the back of the UMS Public View Monitor through the hole in the middle of the mounting plate.



6. Attach the mounting plate end of the UMM-LP10B to the monitor using the four (4) screws and four (4) washers provided in the hardware kit. Tighten securely.
7. Connect one (1) Wago clamp to the end of each power lead from the monitor.
8. With one person holding the monitor in place, the second person connects the external 24 VAC power leads to the unused end of the Wago clamp, and connects the coax cables if necessary.



9. Push the excess cables into the pipe and reattach the cap using the four (4) thumbnuts and washers. Do not tighten the thumbnuts.
10. Adjust the monitor to the correct position. You may loosen the bottom set screw and rotate the monitor by turning it 180° on the pipe.
11. Tighten the bottom set screw and the four (4) thumbnuts.



### 3.3 Installing the Feed-through Wall Mount (UMM-LW10B)

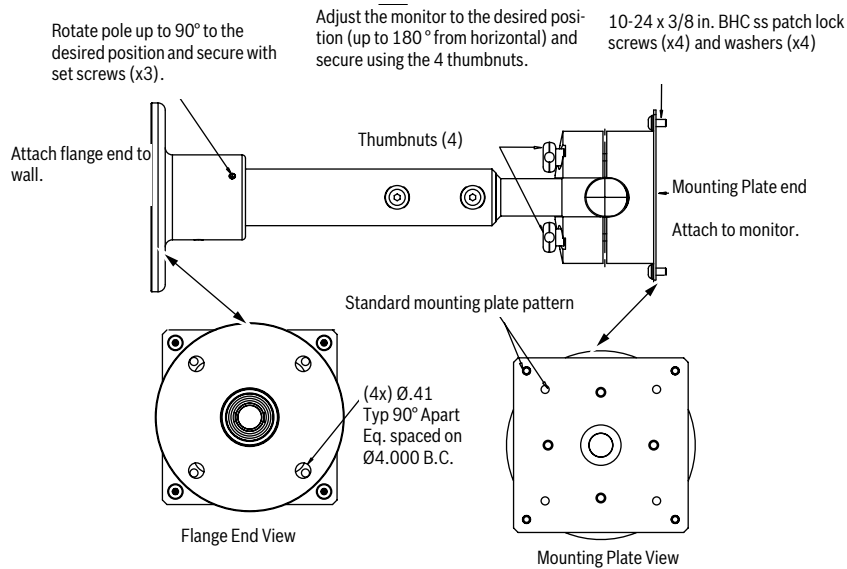
This mount attaches to a wall surface as described in the procedure below. The combined weight of the monitor and the mount is 17 lbs (7.71 Kg); it is recommended to use four (4) 3/8-in. bolts to attach the mount to the wall. Ensure that you have the contents of the UMM-LW10B Hardware Kit, the two (2) Wago® clamps (included with the UMS Public View Monitor packaging) and a 3/32-in. Allen wrench (not included).



**CAUTION!** Installation should be performed by qualified service installers only, using construction methods in accordance with applicable local codes and standards. Refer to local building codes for installing the four (4) fasteners to the wall.

**CAUTION!** Do not exceed the maximum rated load for the particular mount used.

The figure below illustrates the components of the UMM-LW10B Feed-through Wall Mount:

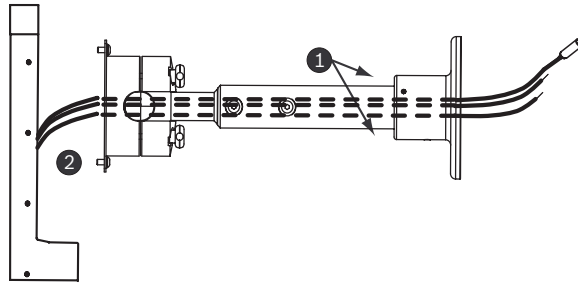


**Fig. 3.2** UMM-LW10B Feed-through Wall Mount Components

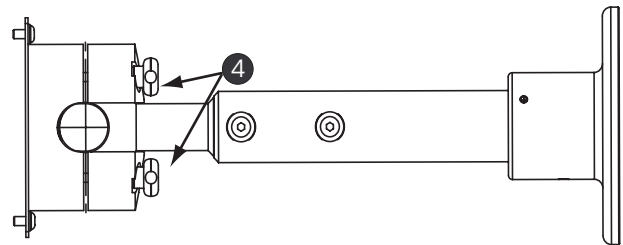


### Mounting the UMS Public View Monitor to the wall mount

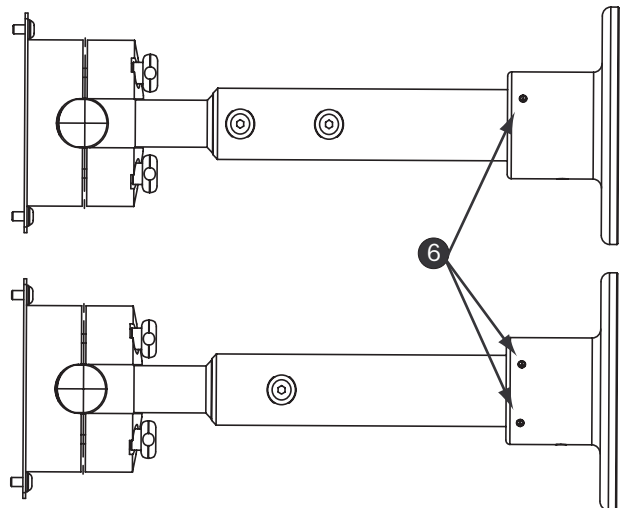
1. Loosen the four (4) thumbnuts enough to allow the pipe extension to rotate.
2. Feed the cables from the back of the UMS Public View Monitor into the middle of the mounting plate; then thread the cables up through the mount. Pull the wires through the top of the pipe extension end.
3. Connect one (1) Wago clamp to the ends of each 24 VAC power lead (two leads from the monitor and two leads from the power source).



4. Attach the mounting plate end of the UMM-LW10B to the monitor using the four (4) screws and four (4) washers provided in the hardware kit. Tighten securely.
5. Mount the flange end of the UMM-LW10B to the wall using the appropriate fasteners (not provided). It is recommended to use four (4) 3/8 in. bolts.



6. Make any necessary adjustments to the pole and secure using the three (3) set screws.
7. Adjust the monitor to the desired position (up to 180° horizontal) and secure using the four (4) thumbnuts.



## 4 Dimensional Outlines

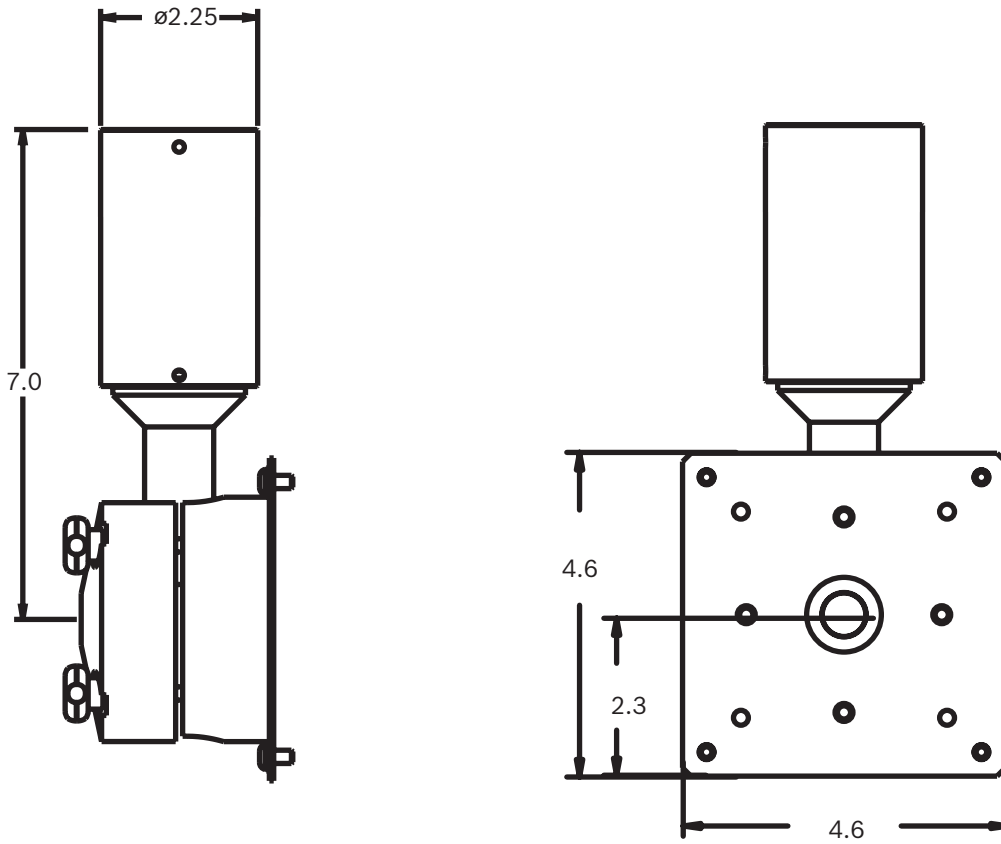


Fig. 4.1 UMM-LP10B 10-inch Pipe Mount—in inches

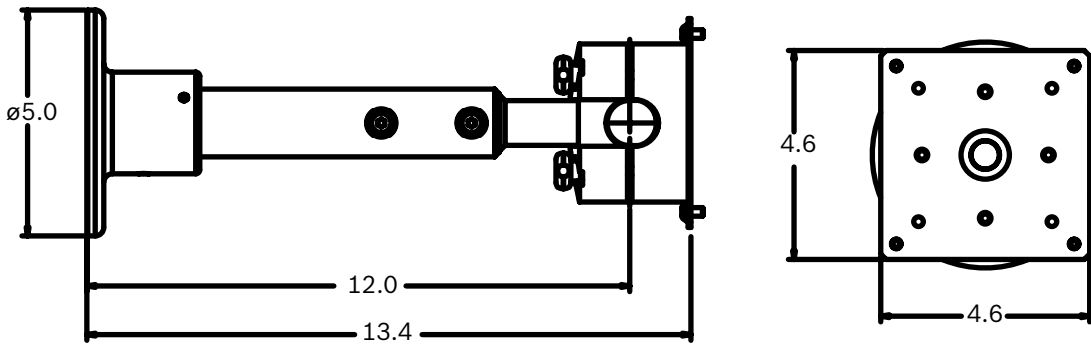


Fig. 4.2 UMM-LP10B 12-inch Wall Mount—in inches



**Americas:**

Bosch Security Systems  
130 Perinton Parkway  
Fairport, New York, 14450  
USA

Phone +1 800 289 0096  
Fax +1 585 223 9180

**[www.boschsecurity.us](http://www.boschsecurity.us)**

© Bosch Security Systems, Inc. 2006

**Europe, Middle East, Asia:**

Bosch Security Systems B.V.  
P.O. Box 80002  
5600 JB Eindhoven  
The Netherlands

Phone +31 (0) 40 27 83955  
Fax +31 (0) 40 27 86668

**[www.boschsecurity.com](http://www.boschsecurity.com)**

**Asia-Pacific:**

Bosch Security Systems Pte Ltd.  
38C Jalan Pemimpin  
Singapore 577180

Phone +65 6319 3450  
Fax +65 63139 3499

**[www.boschsecurity.com](http://www.boschsecurity.com)**