



# Dinion Infrared Imager

VEI-Series



**BOSCH**

en User Manual



# Table of Contents

---

<b>1</b>	<b>Safety</b>	<b>5</b>
1.1	Safety precautions	5
1.2	Important safety instructions	5
1.3	Important notices	6
1.4	FCC & ICES compliance	9
1.5	CSA certification - Disclaimer	10
1.6	Bosch notices	11
<hr/>		
<b>2</b>	<b>Description</b>	<b>12</b>
2.1	Unpacking	12
2.1.1	Parts Included with the Product	13
2.1.2	User-supplied Parts	13
2.1.3	Required Tools (User-Supplied)	13
<hr/>		
<b>3</b>	<b>Planning</b>	<b>14</b>
3.1	Pre-installation Checklist	16
<hr/>		
<b>4</b>	<b>Installation</b>	<b>18</b>
4.1	Overview of Installation Steps	18
4.2	Mount the Junction Box	19
4.3	Route Wires and Attach Connectors	20
4.3.1	About the Coaxial Cable	21
4.3.2	About Alarm Output Connections	22
4.4	Attach Pendant Arm to Junction Box	23
<hr/>		
<b>5</b>	<b>Manual Camera Settings</b>	<b>24</b>
5.1	Adjusting Focus, Focal Length, Pan, and Tilt	24
5.1.1	Accessing the Rear Controls	24
5.1.2	Adjusting the Focus and Focal Length	25
5.1.3	Making Pan Adjustments	26
5.1.4	Making Tilt Adjustments	26
5.2	Adjusting Angle of LED Tilt and Width of Illumination Beam	27
5.2.1	Adjusting the Angle of LED Tilt	27
5.2.2	Adjusting the Illumination Beam Width	28

---

<b>6</b>	<b>Operation via Keyboard and OSD Menus</b>	<b>30</b>
6.1	Menus	30
6.1.1	Top level menus	30
6.1.2	Menu navigation	30
6.2	Pre-defined modes	31
6.3	Camera control communication (Bilinx)	32
6.4	Main menu structure	33
6.4.1	Mode submenu	33
6.4.2	ALC submenu	34
6.4.3	Shutter/AGC submenu	35
6.4.4	Day/Night submenu	37
6.4.5	Illuminator submenu	38
6.4.6	Enhance / Dynamic Engine submenu	39
6.4.7	Color submenu	40
6.4.8	VMD submenu	41
6.5	Install menu structure	42
6.5.1	Lens Wizard submenu	42
6.5.2	Language submenu	43
6.5.3	Privacy Masking submenu	43
6.5.4	Synchronization submenu	44
6.5.5	Alarm Output submenu	44
6.5.6	Connections submenu	45
6.5.7	Test Signals submenu	45
6.5.8	Camera ID submenu	46
6.5.9	Defaults submenu	46
<b>7</b>	<b>Maintenance</b>	<b>47</b>
7.1	Repairs	47
7.2	Transfer and Disposal	47
<b>8</b>	<b>Technical Data</b>	<b>48</b>
	<b>Index</b>	<b>50</b>

---

# 1 Safety

## 1.1 Safety precautions

**DANGER!**

High risk: This symbol indicates an imminently hazardous situation such as “Dangerous Voltage” inside the product. If not avoided, this will result in an electrical shock, serious bodily injury, or death.

---

**WARNING!**

Medium risk: Indicates a potentially hazardous situation. If not avoided, this could result in minor or moderate bodily injury.

---

**CAUTION!**

Low risk: Indicates a potentially hazardous situation. If not avoided, this could result in property damage or risk of damage to the unit.

---

**NOTICE!**

This symbol indicates information or a company policy that relates directly or indirectly to the safety of personnel or protection of property.

---

## 1.2 Important safety instructions

Read, follow, and retain all of the following safety instructions. Heed all warnings on the unit and in the operating instructions before operating the unit.

1. Clean only with dry cloth.
2. Do not block any ventilation openings. Install in accordance with manufacturer’s instructions.
3. Do not install near any heat sources such as radiators, heat registers, stoves or other apparatus (including amplifiers) that produce heat.

4. Protect the power cord from being walked on or pinched particularly at plugs, convenience receptacles, and the power where they exit from the apparatus.
5. Use only attachments/accessories specified by the manufacturer.
6. Refer all servicing to qualified service personnel. Servicing is required when the apparatus has been damaged in a way, such as power-supply cord or plug is damaged, liquid has been spilled or objects have fallen into the apparatus, does not operate normally, or has dropped. When servicing, power shall be disconnected.

## 1.3 Important notices



**Accessories** - Do not place this unit on an unstable stand, tripod, bracket, or mount. The unit may fall, causing serious injury and/or serious damage to the unit. Use only with the cart, stand, tripod, bracket, or table specified by the manufacturer. When a cart is used, use caution and care when moving the cart/apparatus combination to avoid injury from tip-over. Quick stops, excessive force, or uneven surfaces may cause the cart/unit combination to overturn. Mount the unit per the manufacturer's instructions.

**All-pole power switch** - Incorporate an all-pole power switch, with a contact separation of at least 3 mm in each pole, into the electrical installation of the building. If it is needed to open the housing for servicing and/or other activities, use this all-pole switch as the main disconnect device for switching off the voltage to the unit.

**Camera signal** - Protect the cable with a primary protector if the camera signal is beyond 140 feet, in accordance with *NEC800 (CEC Section 60)*.

---

**CAUTION!**

This product has been tested according to standard CIE/IEC 62471:2006 "Photobiological safety of lamps and lamp systems" and found to meet Risk Group 2 for exposure limit 4.3.7 "Infrared radiation hazard exposure limits for the eye." For other hazard exposure limits, the product was found to be exempt. Risk Group 2 is characterized in the standard as "products generally do not pose a realistic optical hazard if aversion responses limit the exposure duration or where lengthy exposures are unrealistic." Since there is no aversion response for IR, avoid eye exposure. Risk Group 2 sources do not pose an infrared radiation hazard for the eye within 10 s at distances beyond 200 mm or 8 inches. The Exposure Hazard Value for the product (ratio of the Exposure level to the Exposure limit) is up to 10 at a test distance of 200 mm (8 inches). The Hazard Distance (distance beyond which the product falls into the exempt/safe group) is at most 640 mm (25 inches). Note that typical use cases are well beyond the Hazard Distance. When servicing the unit, physically disconnect the power supply to avoid possible IR exposure to the eyes. If physical disconnection is not possible, use appropriate shielding to block the LED panel or use eye protection with a transmission of 10% or less at a wavelength of 850 nm.



---

**Coax grounding:**

- Ground the cable system if connecting an outside cable system to the unit.
- Connect outdoor equipment to the unit's inputs only after this unit has had its grounding plug connected to a grounded outlet or its ground terminal is properly connected to a ground source.
- Disconnect the unit's input connectors from outdoor equipment before disconnecting the grounding plug or grounding terminal.
- Follow proper safety precautions such as grounding for any outdoor device connected to this unit.

**U.S.A. models only** - Section 810 of the *National Electrical Code, ANSI/NFPA No.70*, provides information regarding proper grounding of the mount and supporting structure, grounding of the coax to a discharge unit, size of grounding conductors, location of discharge unit, connection to grounding electrodes, and requirements for the grounding electrode.



**Disposal** - Your Bosch product was developed and manufactured with high-quality material and components that can be recycled and reused. This symbol means that electronic and electrical appliances, which have reached the end of their working life, must be collected and disposed of separately from household waste material. Separate collecting systems are usually in place for disused electronic and electrical products. Please dispose of these units at an environmentally compatible recycling facility, per *European Directive 2002/96/EC*.

**Electronic Surveillance** - This device is intended for use in public areas only. U.S. federal law strictly prohibits surreptitious recording of oral communications.

**Environmental statement** - Bosch has a strong commitment towards the environment. This unit has been designed to respect the environment as much as possible.

**Fuse rating** - For protection of the device, the branch circuit protection must be secured with a maximum fuse rating of 16A. This must be in accordance with *NEC800 (CEC Section 60)*.

**Moving** - Disconnect the power before moving the unit. Move the unit with care. Excessive force or shock may damage the unit and the hard disk drives.

**Outdoor signals** - The installation for outdoor signals, especially regarding clearance from power and lightning conductors and transient protection, must be in accordance with *NEC725 and NEC800 (CEC Rule 16-224 and CEC Section 60)*.

**Permanently connected equipment** - Incorporate a readily accessible disconnect device external to the equipment.



**Pluggable equipment** - Install the socket outlet near the equipment so it is easily accessible.

**Power resupply** - If the unit is forced to power down due to exceeding the specified operating temperatures, disconnect the power cord, wait for at least 30 seconds, and then reconnect the power cord.

**Power lines** - Do not locate the camera near overhead power lines, power circuits, or electrical lights, nor where it may contact such power lines, circuits, or lights.

**SELV** - All the input/output ports are Safety Extra Low Voltage (SELV) circuits. SELV circuits should only be connected to other SELV circuits.

Because the ISDN circuits are treated like telephone-network voltage, avoid connecting the SELV circuit to the Telephone Network Voltage (TNV) circuits.

**Video loss** - Video loss is inherent to digital video recording; therefore, Bosch Security Systems cannot be held liable for any damage that results from missing video information. To minimize the risk of lost digital information, Bosch Security Systems recommends multiple, redundant recording systems, and a procedure to back up all analog and digital information.



#### **NOTICE!**

This is a class B product. In a domestic environment this product may cause radio interference, in which case the user may be required to take adequate measures.

---

## **1.4 FCC & ICES compliance**

### **FCC Information** (*U.S.A. and Canadian Models Only*)

This equipment has been tested and found to comply with the limits for a **Class B** digital device, pursuant to *part 15* of the *FCC Rules*. These limits are designed to provide reasonable protection against harmful interference in a **residential installation**. This equipment generates, uses, and can radiate radio frequency energy and, if not installed and used in accordance with the instructions, may cause harmful interference to radio communications. However, there is no

guarantee that interference will not occur in a particular installation. If this equipment does cause harmful interference to radio or television reception, which can be determined by turning the equipment off and on, the user is encouraged to try to correct the interference by one or more of the following measures:

- reorient or relocate the receiving antenna;
- increase the separation between the equipment and receiver;
- connect the equipment into an outlet on a circuit different from that to which the receiver is connected;
- consult the dealer or an experienced radio/TV technician for help.

Intentional or unintentional modifications, not expressly approved by the party responsible for compliance, shall not be made. Any such modifications could void the user's authority to operate the equipment. If necessary, the user should consult the dealer or an experienced radio/television technician for corrective action.

The user may find the following booklet, prepared by the Federal Communications Commission, helpful: *How to Identify and Resolve Radio-TV Interference Problems*. This booklet is available from the U.S. Government Printing Office, Washington, DC 20402, Stock No. 004-000-00345-4.

## 1.5 CSA certification - Disclaimer

CSA has not tested the performance or reliability of the security or signaling aspects of this product. CSA has only tested fire, shock and/or casualty hazards as outlined in CSA's *Standard(s) for Safety for Closed Circuit Television Equipment, UL 2044*. CSA Certification does not cover the performance or reliability of the security or signaling aspects of this product.

CSA MAKES NO REPRESENTATIONS, WARRANTIES, OR CERTIFICATIONS WHATSOEVER REGARDING THE PERFORMANCE OR RELIABILITY OF ANY SECURITY OR SIGNALING RELATED FUNCTIONS OF THIS PRODUCT.

## 1.6 Bosch notices

### **Copyright**

This manual is the intellectual property of Bosch Security Systems and is protected by copyright. All rights reserved.

### **Trademarks**

All hardware and software product names used in this document are likely to be registered trademarks and must be treated accordingly.

### **NOTE:**

This manual has been compiled with great care and the information it contains has been verified thoroughly. The text was complete and correct at the time of printing. The ongoing development of products means that the content of the user guide can change without notice. Bosch Security Systems accepts no liability for damage resulting directly or indirectly from faults, incompleteness or discrepancies between the user guide and the product described.

### **More information**

For more information, please contact the nearest Bosch Security Systems location or visit [www.boschsecurity.com](http://www.boschsecurity.com)

## 2 Description

The VEI-30 IR Imager is a high-performance, CCD-based day/night analog camera and built-in infrared illuminator, with outdoor, all-weather housing and bracketry (rated to IP67).

The VEI-30 is easy to install and ready to use, and offers the best solution for demanding scene conditions. Features include:

- True Day/Night performance with switchable IR filter and Auto Photocell switching mode
- Illuminator with variable field illumination
- Bilinx (bi-directional coaxial communication)
- Progressive scan
- 540 TVL resolution
- Dynamic engine with Smart BLC
- Privacy masks
- Wide operating temperature range (-40°C to +50°C / -40°F to +122°F)
- Six pre-programmed operation modes
- Adaptive dynamic noise reduction
- Multiple language on-screen display
- Easy integration with existing CCTV systems / networks

### 2.1 Unpacking

This electronic equipment should be unpacked and handled carefully. If an item appears to have been damaged in shipment, notify the shipper immediately.

Verify that all the parts listed in the Parts List below are included. If any items are missing, notify your Bosch Security Systems Sales or Customer Service Representative.

The original packing carton is the safest container in which to transport the unit and must be used if returning the unit for service. Save it for possible future use.

### 2.1.1 Parts Included with the Product

Quantity	Item
1	IR Imager camera (VEI-30 model or NEI-30 model)
1	Cable-managed pan/tilt bracket
1	Junction box
1	Sunshield
1	3D Diffuser
3	Hex keys (1x 5 mm hex key; 1x 2.5 mm hex key; 1x 4 mm hex key)
2	Screws for adjusting the tilt of the LED (one 25 mm; one 31 mm)
1	Corner mount kit (optional)
1	Mast mount kit (optional)
1	Quick Install Guide
1	Product CD

### 2.1.2 User-supplied Parts

Quantity	Item
4	Lag bolts, 1/4-9 x 2 (M7-0.35 x 50) with 1/2 in. head
4	12 mm (1/2 in.) washers
2	20 mm (3/4 in.) NPS watertight pipe fittings OR 15 mm (1/2 in.) NPS watertight pipe fittings
--	Stranded wire (AWG 16 to 22) OR Solid wire (AWG 16 to 26)
--	Metal conduit (for protection of power cables and input/output cables)
--	Mounting hardware (such as a corner mount adapter or pole mount adapter, available separately from Bosch)

### 2.1.3 Required Tools (User-Supplied)

Quantity	Item
1	2.5 mm (0.1 in.) straight-blade screwdriver
1	Socket wrench
1	14 mm (9/16 in.) socket
1	Drill
1	5.5 mm (7/32 in.) drill bit

### 3 Planning

This equipment should be unpacked and handled carefully. If an item appears to have been damaged in shipment, notify the shipper immediately.

Verify that all the parts listed in the Parts List below are included. If any items are missing, notify your Bosch Security Systems Sales or Customer Service Representative.

The original packing carton is the safest container in which to transport the unit and must be used if returning the unit for service. Save it for possible future use.

#### Parts Included with the Product

Quantity	Item
1	IR Imager camera (VEI-30 model or NEI-30 model)
1	Cable-managed pan/tilt bracket
1	Junction box
1	Sunshield
1	3D Diffuser
3	Hex keys (1x 5 mm; 1x 2.5 mm; 1x 4 mm)
2	Screws for adjusting the LED tilt (1x 25 mm; 1x 31 mm)
1	Corner mount kit (optional)
1	Mast mount kit (optional)
1	Quick Install Guide (this booklet)
1	Product CD with complete User Manual

#### User-Supplied Parts

Quantity	Item
4	Lag bolts, 1/4-9 x 2 (M7-0.35 x 50) with 1/2 in. head
4	12 mm (1/2 in.) washers
2	20 mm (3/4 in.) NPS watertight pipe fittings OR 15 mm (1/2 in.) NPS watertight pipe fittings
--	Stranded wire (AWG 16 to 22) OR Solid wire (AWG 16 - 26)

Quantity	Item
--	Metal conduit (for protection of power cables and input/output cables)
--	Mounting hardware (such as a corner mount adapter or pole mount adapter, available separately from Bosch)

#### Required Tools (User-supplied)

- 2.5 mm (0.1 in.) straight-blade screwdriver
- Socket wrench; 14 mm (9/16 in.) socket
- Drill; 5.5 mm (7/32 in.) drill bit

#### WARNING!



#### IMPORTANT MOUNTING INSTRUCTIONS

This apparatus must be securely attached to the wall in accordance with these installation instructions. Failure to follow installation instructions may result in injury or death.

#### CAUTION!



Ensure that the selected location is protected from falling objects, accidental contact with moving objects, and unintentional interference from personnel. Follow all applicable building codes.

Select a suitable location that protects the camera from accidental damage, tampering and environmental conditions exceeding the specifications of the camera.

#### Follow these mounting guidelines:

1. Locate the camera such that it cannot be easily interfered with, either intentionally or accidentally.
2. Select a **smooth, flat mounting surface** that can support the combined weight of the camera and mounting hardware under all expected conditions of vibration and temperature. Recommended mounting height is at least 4 m (13 ft); however, optimal conditions will vary with the specific installation environment.

## 3.1 Pre-installation Checklist

---

**WARNING!**

This installation must be made by a qualified service person and must conform to all local codes.

---

**WARNING!**

CSA Certified / UL Listed CLASS 2 (or Certified PoE+ rated 42.5 VDC to 57 VDC, 600 mA, 34.20 W (max), for IP models) power adapters must be used in order to comply with electrical safety standards.

---

1. Determine the location and distance for the junction box based on its voltage and current consumption. See the Installation Manual on the product CD for wiring information and distances.
  2. Use only UL-listed liquid tight strain reliefs for conduits to the junction box to ensure that water cannot enter the box. You must use 3/4 in. (20 mm) NPS watertight conduits and fittings (to meet NEMA 4X standards).
- 

**WARNING!**

Power and I/O cabling must be routed separately inside different permanently earthed metal conduits.

---

3. Route all rough wiring including: power, control, video coax, alarms I/O, and relay I/O. See for video and control protocol methods.



---

**WARNING!**

Install external interconnecting cables in accordance with NEC, ANSI/NFPA70 (for US application) and Canadian Electrical Code, Part I, CSA C22.1 (for CAN application), and in accordance with local country codes for all other countries. CSA Certified / UL Listed CLASS 2 power adapters must be used in order to comply with electrical safety standards. Branch circuit protection incorporating a 20 A, 2-pole Listed Circuit Breaker or Branch Rated Fuses are required as part of the building installation. A readily-accessible 2-pole disconnect device with a contact separation of at least 3 mm must be incorporated.

---

4. Select the appropriate mounting kit to use, depending on the location of the VEI-30 / NEI-30 Series camera. The camera is intended to be mounted securely to a wall using the mounting holes in the junction box.
- 

**CAUTION!**

Select a rigid mounting location to prevent excessive vibration to the camera.

---

## 4 Installation



### CAUTION!

Installation must be made by qualified service personnel and must conform to the National Electrical Code and all applicable local codes.

### WARNING!

#### IMPORTANT MOUNTING INSTRUCTIONS

The camera must be attached securely to the wall in accordance with these installation instructions. Failure to follow installation instructions may result in injury or death.



The camera has been evaluated for wall mounting, through the mounting holes in the junction box, using the following hardware secured into a 2 x 4 stud under 1/2 in. drywall:

- Four (4) Lag bolts, 1/4-9 x 2 (M7-0.35 x 50) with 1/2 in. head
- Four (4) 12 mm (1/2 in.) flat washers

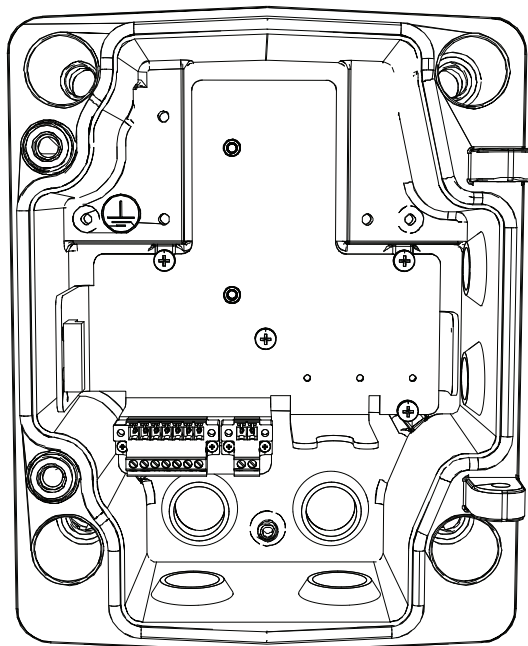
The camera has not been evaluated for safety requirements using other mounting kits.

### 4.1 Overview of Installation Steps

Follow these steps in sequence to mount the camera to a wall:

1. **Mount the junction box.** See *Section 4.2 Mount the Junction Box, page 19.*
2. **Route wires and attach connectors** for power, telemetry, and video. See *Section 4.3 Route Wires and Attach Connectors, page 20.*
3. **Attach pendant arm to junction box.** See *Section 4.4 Attach Pendant Arm to Junction Box, page 23.*

## 4.2 Mount the Junction Box



**Figure 4.1** Interior of the Junction Box

1. Decide which holes in the junction box to use to insert the power wires, video, and control data wires: the holes in the bottom of the box, the holes in the back of the box, or the holes in the side of the box.
2. If necessary, before mounting, move the two (2) seal plugs to the holes that you are not using. For example, if you are using the holes in the back of the box, move the plugs to cover the holes in the bottom of the box.
3. Locate studs in the wall and mark the outside edges of the studs.
4. Using the wall mount bracket as a template, align the mounting holes with the center of the studs.
5. Mark the points on the wall in the center of the holes where the mounting bolts will be positioned.
6. Remove the wall mount bracket and drill pilot holes at each marked point.

7. Align the mounting holes of the wall mount bracket with the holes drilled in the wall.
8. Using a socket wrench and a 14 mm (9/16 in.) socket (not supplied), screw the first 1/4-9 x 2 (M7-0.35 x 50) lag bolt (not supplied) with 12 mm (1/2 in.) washer (not supplied) into the stud.
9. Repeat step 8 to attach the three remaining lag bolts.
10. Attach the appropriate NPS watertight pipe fittings (not supplied) to the bottom or back holes of the junction box through which to run the power, video, and other wires.

---

**NOTICE!**

You must use the appropriate UL-listed / NPS watertight conduits and fittings to ensure that water cannot enter the junction box, and to meet standards for NEMA 4X.

- Use 20 mm (3/4 in.) NPS fittings for the holes on the bottom and back of the box.
- Use 15 mm (1/2 in.) NPS fittings for the side holes.

---

### 4.3 Route Wires and Attach Connectors

1. Route all video, control, and alarm wires through the conduit fitting on the **left** (back) side of the junction box. These wires must be routed through a permanently earthed metal conduit. See for coax, UTP, and fiber optic specifications and distances.
2. Route the power lines (24 VAC / 12 VDC) through the conduit fitting on the **right** (front) side of the box. Use stranded wire (AWG 16 to 22) or solid wire (AWG 16 to 26). These wires must be routed through a permanently earthed metal conduit.
3. Cut and trim all wires with sufficient slack to reach their connector terminals in the box, but not so long as to be pinched (about 5 mm (0.2 in.) of insulation). See *Figure 4.3, Page 23*, above, for the connector locations.
4. Loosen the screws of the supplied 2-pole connector (2-pin Power Plug) and attach the incoming power wires.

5. Attach the supplied 7-pin relay output plug to the incoming relay wires.
6. Tighten the screws and insert the 2-pole connector into the power socket of the camera.

### NOTICE!



For a **DC supply**, the polarity is important. Incorrect polarity does not damage the camera, but will not allow the camera to switch on. If input voltage is not within the specified range or has incorrect polarity (DC only), the voltage indicator (a yellow LED in the front window) turns on to indicate this condition.

7. Connect the incoming Ethernet cable to the RJ45 connector supplied in the camera junction box.

#### 4.3.1 About the Coaxial Cable

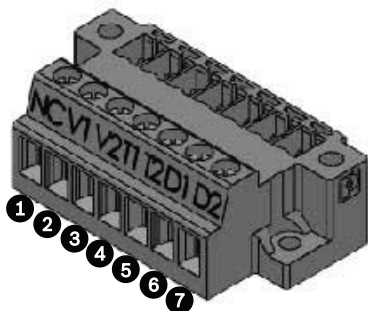
Coaxial cable terminated with BNC connectors is the most common method for transmitting composite video. Bilinx control data can also be sent over the same cable. Bilinx is a Bosch 2-way communication protocol for analog cameras that allows remote control, configuration, and updates over a video coax cable.

VEI-30 models feature cable compensation or “Pre-Comp,” which extends the range of video from the head end, but does not extend the range of Bilinx control.

Cable Compensation	Maximum Distances		
	Video Only		Bilinx Control
Cable Type	Pre-comp OFF	Pre-comp ON	Pre-comp ON or OFF
RG-59/U	300 m (1000 ft)	600 m (2000 ft)	300 m (1000 ft)
RG-6/U	450 m (1500 ft)	900 m (3000 ft)	450 m (1500 ft)
RG-11/U	600 m (2000 ft)	1200 m (4000 ft)	600 m (2000 ft)
Size	O.D. between 4.6 mm to 7.9 mm (0.181 in. to 0.312 in.)		

Cable Compensation	Maximum Distances
Shield	Copper braid: 95%
Central Conductor	Standard copper center

### 4.3.2 About Alarm Output Connections



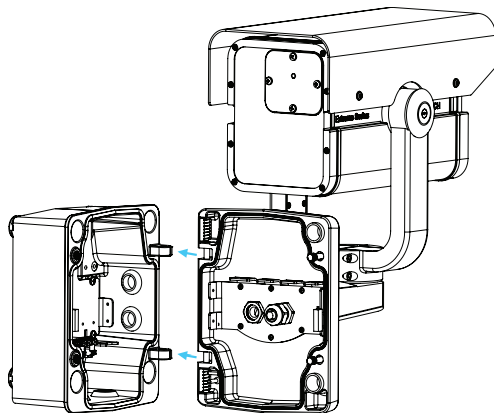
**Figure 4.2** Terminal Block for Alarm Output Connections

#	Label	Description	Wire Color	Pin Connection, Terminal Block
1	NC	Not connected		
2	V1	Camera alarm output connection 1	White	Pin 6 of X453 on PCBA
3	V2	Camera alarm output connection 2	Yellow	Pin 3 of X453 on PCBA
4	T1	Tamper alarm output connection 1	Brown	Pin 1 of CN11
5	T2	Tamper alarm output connection 2 Voltage free and either NO or NC.	Gray	Pin 2 of CN11
6	D1	Illuminator on alarm output connection 1	Black	Pin 1 of CN10
7	D2	Illuminator on alarm output connection 2 Voltage free and either NO (Illuminator off mode) or NC (Illuminator on mode).	Orange	Pin 2 of CN10

## 4.4 Attach Pendant Arm to Junction Box

The bottom hinge pin of the camera arm has a stop to hold the hinge open while attaching the arm to the junction box.

1. Compress the bottom hinge pin by pushing the pin lever downward and rotating it behind the hinge pin stop.



**Figure 4.3** Camera Box Hinge Alignment

2. Open the top hinge by pushing and holding up the pin lever.



### NOTICE!

Both hinge pins must be fully compressed to open (unlock) the hinges of the camera arm and before proceeding to step 3.

3. While continuing to hold the top hinge pin, open and align the top and bottom hinges of the camera arm to their mating points on the junction box. See *Figure 4.3*, above.
4. Once you have aligned the hinges, release the top hinge pin to engage its mating hinge on the junction box, and then release the bottom hinge pin from the hinge pin stop to lock the camera arm to the junction box.



### DANGER!

Serious injury or death can occur if the hinge pins of the camera arm are not fully engaged (locked) to the junction box. Use caution before releasing the camera arm.

## 5 Manual Camera Settings

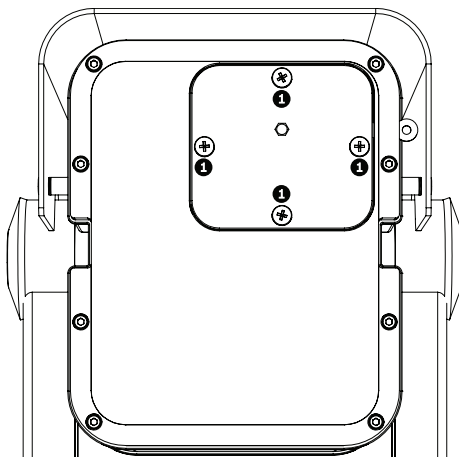
Most camera settings can be adjusted remotely via CTFID software (for analog models; refer to the *Configuration Tool for Imaging Devices User Manual* at [www.boschsecurity.com](http://www.boschsecurity.com)) or via the web browser interface (for IP models). Some settings--lens focus, focal length, pan, tilt, LED tilt, and the width of the illumination beam--require manual adjustment using controls at the back of or in the front of the camera.

### 5.1 Adjusting Focus, Focal Length, Pan, and Tilt

To adjust the focal length and focus, use the controls located on the access panel at the rear of the camera housing. An access panel also contains the camera keypad buttons that you use to interact with the camera's on-screen display (OSD) menu. This menu provides advanced set-up options for getting the best results under special circumstances.

#### 5.1.1 Accessing the Rear Controls

1. Unscrew the four (4) captive screws (item 1 in the figure below) of the access panel on the rear of the camera housing.



**Figure 5.1** Rear camera housing with access panel



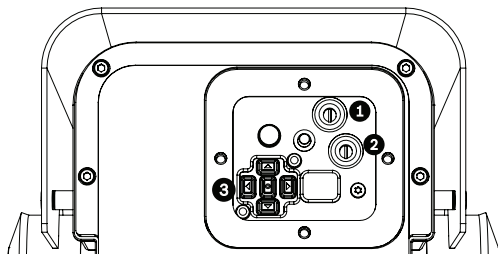
- Open the access panel. Now you can adjust the focus and focal length (see *Figure 5.2* below).

**Note:** Before you make any adjustments, you may need to connect the camera to a monitor to view the changes to the picture.



#### NOTICE!

Remember to tighten the captive screws on the panel when you finish the adjustments.

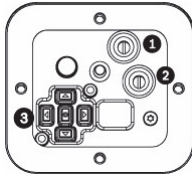


**Figure 5.2** Controls for focal length, focus, and camera set-up

1	Focal length adjustment
2	Focus adjustment (zoom)
3	Advanced camera set-up controls - keypad

### 5.1.2 Adjusting the Focus and Focal Length

- Use the top set screw (item 1, *Figure 5.2*) to adjust the image focus:
  - Turn the set screw to the left to focus near (**N**) (zoom in).
  - Turn the set screw to the right to focus far (**F**) (zoom out).
- Use the lower set screw (item 2, *Figure 5.2*) to adjust the focal length (tele or wide):
  - Turn the set screw to the left for a wider field of view.
  - Turn the set screw to the right for a telephoto field of view.



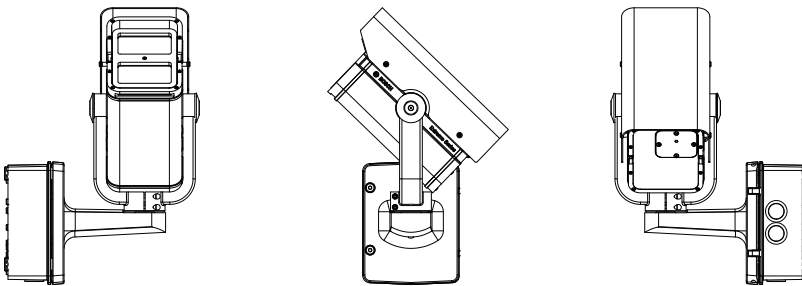
**Figure 5.3** Focus and Zoom screws on the inside of the access panel on the rear of the camera housing

### 5.1.3 Making Pan Adjustments

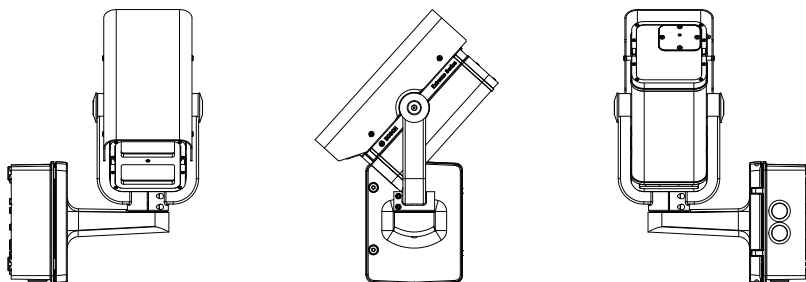
1. Using the 4 mm hex key, loosen the bolts at the base of the “u bracket” to make the necessary pan adjustments.
2. When loosened, adjust the camera to the desired pan angle.
3. Tighten the bolt to secure in place.

### 5.1.4 Making Tilt Adjustments

1. Using the 2.5 mm hex key, unscrew the round caps (CCW) where the bracket attaches to the camera housing to expose the bolts for tilt adjustment.
2. Using the 4 mm hex key, loosen the bolts.
3. Make the necessary tilt adjustments.
4. Tighten the bolts to secure the camera in place.
5. Replace the round caps when you finish the adjustments.



**Figure 5.4** Example orientation: Camera rotated 90 degrees left, pointing up 44 degrees. From left: front view, side view, back view



**Figure 5.5** Example orientation: Camera rotated 90 degrees right, pointing down 48 degrees. From left: front view, side view, back view

## 5.2 Adjusting Angle of LED Tilt and Width of Illumination Beam

Adjust the angle of LED tilt and the width of the illumination beam on the front of the camera. See the figures in the subchapters below to identify the locations for each adjustment.

### 5.2.1 Adjusting the Angle of LED Tilt



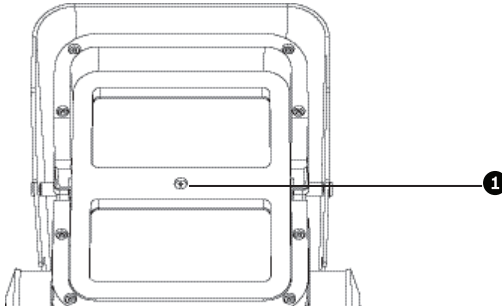
#### **NOTICE!**

Do not discard the additional LED tilt set screw supplied in the accessory kit! It is required to adjust the angle of LED tilt.

Adjust the angle of LED tilt (up or down) to maximize coverage of the infrared light over the field of view. As a general guideline, when the camera is pointed down at a steeper angle (usually at higher installation heights or for applications of shorter ranges), the angle of LED tilt should be raised above the axis of the camera to reduce the potential of overexposure in the foreground.

1. Select the appropriate set screw for adjusting the angle of LED tilt, based on how far you want the camera to “see.” Use the 31 mm screw for general area surveillance / targets closer to the camera. Use the 25 mm screw for other use cases such as monitoring a perimeter.

2. Insert the set screw in the screw slot (item 1, *Figure 5.6*) between the camera window and the LED window in the front of the camera.



**Figure 5.6** Slot for set screw for adjusting angle of LED tilt

3. Insert the screw as far as possible into the slot. The screw must be in the slot completely to make the adjustment.

---

### **WARNING!**



The LED Tilt Set screw must be inserted completely so that the integrated O-ring makes a seal with the camera housing. If the screw is not completely inserted, the water tightness of the camera will be compromised.

---

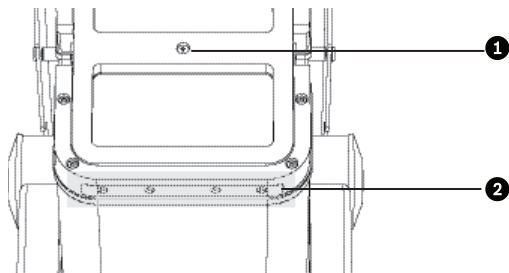
## **5.2.2 Adjusting the Illumination Beam Width**

Adjust the infrared beam width by adding or removing the 3D diffuser. Each camera ships with a 3D diffuser plate (already installed in the camera) and the 3D diffuser (not installed in the camera). The diffuser plate holds the 3D diffuser in place in the camera. The 3D diffuser is recommended for wider field of view applications.

- With the 3D diffuser, a focal length of 6 mm provides a horizontal field of view (FOV) of 42° to match the illumination pattern; the resulting beam angle is 42° (H) x 20° (V).
- Without the 3D diffuser, a focal length of 27 mm (or greater) provides a horizontal field of view (FOV) of 10° (or less) to match the illumination pattern; the resulting beam angle is 10° (H) x 10° (V).

**To install the 3D diffuser:**

1. Unscrew the four (4) captive screws beneath the illuminator in the front of the unit (item 2, *Figure 5.7*).

**Figure 5.7** 3D Diffuser

2. Using the captive screws, remove the 3D diffuser plate.
3. Insert the 3D diffuser into the slit in the gasket on the 3D diffuser plate.

**IMPORTANT:** Ensure that the diffuser is inserted into the camera housing with the sticker side facing the LED array. It is important that the diffuser is oriented with the sticker side surface facing the LED array or IR performance will be lost.

4. Install the diffuser and plate assembly into the camera housing to secure and seal the unit.

**To remove the 3D diffuser:**

1. Remove the 3D diffuser and plate assembly as when installing the 3D diffuser.
2. Remove the 3D diffuser from the diffuser plate.
3. Install the diffuser plate into the camera housing to secure and seal the unit.

## 6 Operation via Keyboard and OSD Menus

The camera normally provides an optimal picture without the need for further adjustments. Advanced set-up options are available in a menu system for getting the best results under special circumstances. The camera implements your changes immediately so that before and after settings are easily compared.

### 6.1 Menus

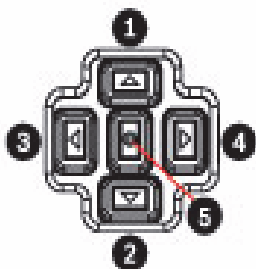
#### 6.1.1 Top level menus

Once you have opened the access panel on the rear of the camera housing (see Section 7, Configuration), you can adjust the camera settings via the camera's on-screen display (OSD) menus. There are two upper-level menus: the **Main** menu and the **Install** menu. The menus have functions that can be selected directly or submenus for more detailed set-up.

- To access the **Main** menu, press the menu/select button (center) for less than 1 second. The **Main** menu appears on the monitor. The **Main** menu allows you to select and set up the picture enhancement functions. If you are not happy with your changes, you can always recall the default values for the mode.
- The camera also has an **Install** menu in which the installation settings can be set. To access the **Install** menu, press the menu/select button (center) for longer than 2 seconds.

#### 6.1.2 Menu navigation

Five keys, located behind the access panel on the back of the camera, are used for navigating through the menu system.



**Figure 6.1** Advanced camera setup keypad

Key	Description
1	Up key
2	Down key
3	Left key
4	Right key
5	Menu/Select key

- Use the up or down keys to scroll through a menu.
- Use the left or right keys to move through options or to set parameters.
- When in a menu, quickly double-press the menu/select key to restore the selected item to its factory default.
- To close all menus at once, hold down the menu/select key until the menu display disappears or continually select the **Exit** item.

Some menus close automatically after about two minutes; other menus must be closed manually.

## 6.2 Pre-defined modes

There are six pre-defined modes with settings to make configuration easier. You can select one of the six pre-defined modes in the Install/Mode submenu. The modes are defined as follows:

### 1. 24-hour

Default installation mode to provide stable pictures over a 24-hour period. These settings are optimized for out-of-the-box installation.

2. **Traffic**  
Capture high-speed objects using default shutter in variable lighting conditions.
3. **Low light**  
Provide extra enhancement such as AGC and SensUp to make usable pictures in low-light conditions.
4. **Smart BLC**  
Settings optimized to capture details in high contrast and extremely bright-dark conditions.
5. **Low noise**  
Enhancements are set to reduce picture noise. Useful for conditional refresh DVR and IP storage systems because reducing noise reduces the amount of storage required.
6. **Infrared**  
Settings are configured to provide optimal imaging performance in low-light or no-light conditions.

## 6.3 Camera control communication (Bilinx)

This camera is equipped with a coaxial communications transceiver (also referred to as Bilinx). In combination with VP-CFGSFT, the camera setting can be changed from any point along the coaxial cable. All menus can be accessed remotely giving full control of the camera. With this method of communication it is also possible to disable the local keys on the camera. To avoid loss of communication on an installed camera, the **Communication On/Off** selection is not available while using remote control. This function can only be accessed with the camera buttons. Bilinx communications can only be disabled using the buttons on the camera.

### Disabled camera buttons

When the Bilinx communications link is active, the buttons on the camera are disabled.



## 6.4 Main menu structure

Item	Selection	Description
Mode	Submenu	Sets up operating modes 1 to 6
ALC	Submenu	Video level control
Shutter/AGC	Submenu	Shutter and automatic gain control
Day/Night	Submenu	Day/Night for color/mono operation
Illuminator	Submenu	Illuminator intensity and control
Enhance / Dynamic Engine	Submenu	Picture enhancement and performance
Color	Submenu	White balance and color rendition
VMD	Submenu	Video motion detection
EXIT		Closes the main menu

### 6.4.1 Mode submenu

Item	Selection	Description
Mode	1 to 6	Selects operating mode.
Mode ID	Alphanumeric	Mode name (11 characters maximum)
Copy active mode	Available mode numbers	Copies current mode settings to the mode number selected.
Default mode	Submenu	Restores camera to the factory default settings.
EXIT		Returns to main menu.

## 6.4.2 ALC submenu

Item	Selection	Description
ALC level	-15 to +15	Selects the range within which the ALC will operate. A positive value is more useful for low-light conditions; a negative value is more useful for very bright conditions. Some ALC adjustment may improve scene content when Smart/BLC is enabled.
Peak/average	-15 to +15	Adjusts the balance between peak and average video control. A negative value gives more priority to average light levels; a positive value gives more priority to peak light levels. Video iris lens: select an average level for best results (peak settings may cause oscillations).
ALC speed	Slow, medium, fast	Adjusts the speed of the video level control loop. For most scenes it should remain at the default value.
DVR/IP Encoder	On, Off	On - The camera output is optimized for connection to a DVR or IP encoder to compensate for compression methods. Off - The camera output is optimized for connection to an analog system (matrix switcher or monitor).
EXIT		Returns to main menu.

### 6.4.3 Shutter/AGC submenu

Item	Selection	Description
Shutter	AES, FL, Fixed	AES (auto-shutter) - the camera automatically sets the optimum shutter speed. FL - flickerless mode avoids interference from light sources (recommended for video-iris or DC-iris lenses only). FIXED - allows a user defined shutter speed.
Default (AES) shutter or Fixed shutter	1/50 (PAL), 1/60 (NTSC), 1/100, 1/120, 1/250, 1/500, 1/1000, 1/2000, 1/5000, 1/10K	In AES mode, the camera tries to maintain the selected shutter speed as long as the light level of the scene is high enough. In Fixed mode, selects shutter speed.
Actual shutter		Displays the actual shutter value from the camera to help compare lighting levels and optimum shutter speed during set-up.
Gain control	On, Fixed	On - the camera automatically sets the gain to the lowest possible value needed to maintain a good picture. Fixed - sets Fixed AGC value.
Maximum AGC or Fixed AGC	0 to 30 dB	Selects the maximum value that the gain can have during AGC operation. Selects the gain setting for Fixed gain operation (0 is no gain).
Actual AGC		Displays the actual AGC value from the camera to help compare gain level with lighting levels and picture performance.

<b>Item</b>	<b>Selection</b>	<b>Description</b>
SensUp Dynamic	Off, 2x, 3x, ..., 10x	Selects the factor by which the sensitivity of the camera is increased.  When active, some noise or spots may appear in the picture. This is normal camera behavior. It may also cause motion blur on moving objects.
EXIT		Returns to main menu.

#### 6.4.4 Day/Night submenu

Item	Selection	Description
Day/Night	Auto Video, Auto Photocell, Color, Monochrome	<p>Auto Video - the camera switches the IR cut-off filter on and off depending on the scene illumination level detected by the camera video level.</p> <p>Auto Photocell - the camera switches the IR cut-off filter on and off depending on the ambient light level detected by the photocell.</p> <p>Monochrome - the IR cut-off filter is removed, giving full IR sensitivity.</p> <p>Color - the camera always produces a color signal regardless of light levels.</p>
SW Level	-15 to +15	<p>Sets the video or photocell level in Auto mode at which the camera switches to monochrome operation.</p> <p>A low (negative) value means that the camera switches to monochrome at a lower light level.</p> <p>A high (positive) value means that the camera switches to monochrome at a higher light level.</p>
Priority	Motion, Color	<p>In AUTO mode:</p> <p>Color - the camera gives a color image as long as the light level permits.</p> <p>Motion - the camera avoids motion blur as long as the light level permits (it switches to monochrome earlier than it would with Color priority).</p>

Item	Selection	Description
IR contrast	Enhanced, Normal	Enhanced - the camera optimizes contrast in applications with high IR illumination levels. Select this mode for IR (730 to 940 nm) light sources and for scenes with grass and green foliage. Normal - the camera optimizes contrast in mono applications with visible light illumination.
Color burst (mono)	On, Off	Off - the color burst in the video signal is switched Off in monochrome mode. On - the color burst remains active even in monochrome mode (required by some DVRs and IP encoders).
EXIT		Returns to main menu.

### 6.4.5 Illuminator submenu

Item	Selection	Description
Illuminator	On, Off, Auto	On - the illuminator is always on, regardless of ambient light level. Off - the illuminator remains off, regardless of ambient light level. Auto - the camera switches the illuminator on and off depending on the Day/Night mode.
Intensity	0 to 30	Adjusts the intensity of the illuminator light. The default value is 30.
EXIT		Returns to main menu.

## 6.4.6 Enhance / Dynamic Engine submenu

Item	Selection	Description
Dynamic Engine	Off, XF-DYN, 2X-DYN*, SmartBLC	<p>Off - turns off all automatic scene detail and enhancements (only recommended for testing).</p> <p>XF-DYN - extra internal processing is enabled for low-light applications (traffic, etc.).</p> <p>2X-DYN - 2X-Dynamic adds dual sensor exposure to the XF-DYN features. In harsh lighting conditions, pixels from each exposure are mixed to give a more detailed image. (Use 2X-DYN when SmartBLC is not required.)</p> <p>SmartBLC - BLC window and weighting factor are defined automatically. Camera adjusts dynamically for changing light conditions. Includes all the benefits of 2X-DYN.</p>
Autoblack	On, Off	Autoblack On - increases automatically the visibility of details even when scene contrast is less than full-range due to mist, fog, etc.
Black level	-50 to +50	<p>Adjusts the black offset level.</p> <p>A low (negative) value makes the level darker. A high (positive) value makes the level lighter and may bring out more detail in the darker areas.</p>
Sharpness	-15 to +15	<p>Adjusts the sharpness of the picture. 0 corresponds to the default position.</p> <p>A low (negative) value makes the picture less sharp. Increasing sharpness brings out more detail.</p> <p>Extra sharpness can enhance the details of license plates, facial features and the edges of certain surfaces.</p>

Item	Selection	Description
Dynamic noise reduction	Auto, Off	In AUTO mode, the camera automatically reduces the noise in the picture. This may cause some motion blur on exceptionally fast moving objects immediately in front of the camera. This can be corrected by widening the field of view or selecting Off.
Peak White Invert	On, Off	Use Peak White Invert to reduce glare from the CRT/LCD display. Use in ANPR/LPR applications to reduce headlight glare. (Test on-site to ensure that it does benefit the application and is not distracting for operators of the security system.)
EXIT		Returns to main menu.

### 6.4.7 Color submenu

Item	Selection	Description
White balance	ATW, AWBhold, Manual	ATW - Auto tracking white balance allows the camera to constantly adjust for optimal color reproduction. AWBhold - Puts the ATW on hold and saves the color settings. Manual - the Red, Green, and Blue gain can be set manually to a desired position.
Speed	Fast, Medium, Slow	Adjusts the speed of the white balance control loop.
Red gain	-5 to +5 -50 to +50	ATW and AWBhold - adjusts the Red gain to optimize the white point. Manual - adjusts the Red gain.
Blue gain	-5 to +5 -50 to +50	ATW and AWBhold - adjusts the B gain to optimize the white point. Manual - adjusts the Blue gain.
Green gain	-50 to +50	Manual - adjusts the Green gain.



Item	Selection	Description
Saturation	-15 to +5	Adjusts the color saturation. -15 gives a monochrome image.
EXIT		Returns to main menu.

### 6.4.8 VMD submenu

Item	Selection	Description
VMD	Off, Silent, OSD	Off - Video Motion Detection (VMD) is off. Silent - video motion generates silent alarm. OSD - video motion generates on-screen text message alarm.
VMD Area	Submenu	Select to enter the area set-up menu to define the detection area.
Motion indicator		Indicates the peak of measured motion in the selected area. Press either the right, left or center navigation button to reset.
VMD sensitivity		Sets the sensitivity for motion to the desired level. The longer the white bar, the more motion is required to activate the VMD alarm. Motion above this level activates alarm.
OSD alarm text	Alphanumeric	Text for on-screen display alarm (16 characters maximum).
EXIT		Returns to main menu.

#### Selecting an area for VMD masking

- From the submenu **VMD**, select the option “VMD Area.”  
The submenu **VMD Area** appears, and the system displays the current area selected. Note that the upper left corner is flashing.
- Press Select to ‘unlock’ the flashing corner.
- Use the arrow keys Up, Down, Left, or Right as needed to move the flashing corner and to set the area for virtual motion detection.
- Press Select again to freeze the area and exit the menu.

**Note:** There is one programmable VMD area. When VMD is enabled, normal light fluctuations or environmental factors can contribute to false-positive alarms. Because of this, it is

recommended that you do **not** connect the VMD-triggered alarm output of the camera to a monitored alarm system as the false-positive alarms may be considered a nuisance.

## 6.5 Install menu structure

Item	Selection	Description
Lens Wizard	Submenu	Select to optimize the camera-lens combination backfocus point.
Language	Submenu	Select on-screen display (OSD) language
Privacy Masking	Submenu	Sets up a masking area
Synchronization	Submenu	Sets synchronization parameters
Alarm Output	Submenu	Program the alarm output functionality.
Connections	Submenu	Connection parameters
Test Signals	Submenu	Test patterns and texts
Camera ID	Submenu	Select to access ID submenu
Defaults	Submenu	Returns all settings for all modes to factory defaults
EXIT		Closes the Install menu

### 6.5.1 Lens Wizard submenu

Item	Selection	Description
Lens type	Auto, Manual, DC-iris, Video	Auto - automatically selects the type of lens. Manual, DC-iris, Video modes - select the matching lens type to force the camera to the correct lens mode.
Detected		Shows the type of lens detected when auto lens detection is used.
Set Backfocus now		Select to fully open the iris. Follow the instructions below for setting the backfocus for your particular lens type. After focusing, the object of interest remains in focus under bright and low light conditions.
Set LVL		Only for video-iris lenses. Adjust the level control on the lens to center the level detector indicator (see below).
EXIT		Returns to Install menu.

## 6.5.2 Language submenu

Item	Selection	Description
Language	English Spanish French German Portuguese Polish Italian Dutch Russian	Displays the menus on the OSD in the chosen language.
EXIT		Returns to Install menu.

## 6.5.3 Privacy Masking submenu

Item	Selection	Description
Pattern	Black, Grey, White, Noise	Selects pattern for all masks.
Mask	1, 2, 3, 4	Four different areas can be masked.
Active	On, Off	Turns each of the four masks on or off.
Window	Submenu	Select to open a window in which to define the mask area.
EXIT		Returns to Install menu.

### Selecting an area for privacy masking

1. From the submenu **Privacy Masking**, select the option “Window.” The submenu **Window** appears, and the system displays the current area selected. Note that the upper left corner is flashing.
2. Press Select to ‘unlock’ the flashing corner.
3. Use the arrow keys Up, Down, Left, or Right as needed to move the flashing corner and to set the area for privacy masking.
4. Press Select again to freeze the area and exit the menu.

**Note:** There are four programmable areas for privacy masking.

## 6.5.4 Synchronization submenu

Item	Selection	Description
Synchronization	Internal Line lock	Internal - for free running camera operation. Line lock - to lock to the AC power supply
Horizontal phase	-25 . . 0 . . +25	Adjusts the horizontal phase offset.
Subphase	0, 2 . . . 358	Adjusts the subcarrier phase.
EXIT		Returns to Install menu.

## 6.5.5 Alarm Output submenu

Item	Selection	Description
Alarm output	VMD, External device, Night mode active, Filter toggle	VMD - output relay closes on VMD alarms. External device - make the output relay available to remote communication devices. Night mode active - output relay closes when camera is in monochrome mode. Filter toggle - output relay closes just before the IR filter starts moving and opens when video level has stabilized (2 to 3 seconds).
EXIT		Returns to Install menu.

## 6.5.6 Connections submenu

Item	Selection	Description
Notch filter	On, Off	Switches notch filter on or off. The notch filter can remove a Moiré pattern or color artifacts caused by closely spaced vertical lines or objects (for example, vertical security bars over windows).
Bilinx Comms.	On, Off	If Off, Bilinx communications is disabled.
Camera buttons	Enable, disable	Enable or disable the camera buttons from working.
Cable compensation	Off, Default, RG59, RG6, Coax12	Cable compensation is used to avoid the need for amplifiers in long distance coaxial connections up to 1000 m (3000 ft). For optimum results, select the coaxial cable type used or, if unknown, select default.
Compensation level	0,1,2 . . .+15	Sets the level of cable compensation.
EXIT		Returns to Install menu.

## 6.5.7 Test Signals submenu

Item	Selection	Description
Show camera ID	Off, On	Select On to overlay the camera ID on the video test signal.
Test pattern	Color bars 100%, Grayscale 11- step, Sawtooth 2H, Checker board, Cross hatch, UV plane	Select the desired test pattern to help installation and fault-finding.
EXIT		Returns to Install menu.

## 6.5.8 Camera ID submenu

Item	Selection	Description
Camera ID		Enter a 17-character camera name. Use Left/Right to change position in the string; use up/down to select character. Use Select to exit.
Display ID pos.	Off, Top left, Top right, Bottom left, Bottom right	Selects the screen position of the camera ID.
Camera ID border	On, Off	Displays a grey border behind the camera ID to make it easier to read.
MAC address		Shows MAC address (factory set, cannot be changed).
Ticker bars	On, Off	The ticker bar moves continuously to show that the image is live and not frozen or played back.
Display mode ID	Off, Top left, Top right, Bottom left, Bottom right	Displays the camera mode in the selected position on the screen.
EXIT		Returns to Install menu.

## 6.5.9 Defaults submenu

Item	Selection	Description
Restore All	No, Yes	Restores all settings of the six modes to their default (factory) values. Select YES, then press the Menu/Select button to restore all values. When completed, the message RESTORED! appears.
EXIT		Returns to Install menu.

---

## 7 Maintenance

### 7.1 Repairs

---

**DANGER!**

Disconnect power before servicing or disassembling the housing or unit.

---

**CAUTION!**

Never open the casing of the camera. The unit does not contain any user-serviceable parts. Ensure that all maintenance or repair work is performed only by qualified personnel (electrical engineering or network technology specialists). If in doubt, contact your dealer's technical service center.

---

### 7.2 Transfer and Disposal

The unit should only be passed-on together with this installation guide. The unit contains environmentally hazardous materials that must be disposed of according to law. Defective or superfluous devices and parts should be disposed of professionally or taken to your local collection point for hazardous materials.

## 8 Technical Data

### VEI-30 Models

Model Number	Description	Rated Voltage	Rated Frequency
VEI-308V05-13W	EX30CR Analog, 850nm, PAL	12 VDC/24 VAC (±10%)	50 Hz
VEI-308V05-23W	EX30CR Analog, 850nm, NTSC	12 VDC/24 VAC (±10%)	60 Hz
VEI-309V05-13W	EX30CR Analog, 940nm, PAL	12 VDC/24 VAC (±10%)	50 Hz
VEI-309V05-23W	EX30CR Analog, 940nm, NTSC	12 VDC/24 VAC (±10%)	60 Hz

### Electrical

Power Consumption	
at 12 VDC	35 W (2.9 A)
at 24 VAC	35 W (1.5 A)

### Video

CCD Type	1/3 in. interline, WDR dual shutter
Active Pixels	PAL models: 752 x 582
	NTSC models: 768 x 494
Horizontal Resolution	540 TVL
Signal-to-Noise Ratio (SNR)	> 50 dB
Video Output	Composite Video 1 Vpp, 75 Ohm

### Mechanical

Dimensions (HxWxL), Camera and Bracket	402 mm x 193 mm x 309 mm (15.8 in. x 7.6 in. x 12.2 in.)
Dimensions (HxWxL), Total Assembly	402 mm x 193 mm x 406 mm (15.8 in. x 7.6 in. x 16.2 in.)
Weight, Camera and Bracket	6.6 kg (14.55 lbs)
Weight, Junction Box	1.4 kg (3.5 lbs)
Construction	Corrosion-resistant aluminum
Color	White (RAL 9010) with black (RAL 9005) detail



Finish	Wet paint
Window	3.3 mm (1/8-in.) thick glass
Bracket	Corrosion-resistant, cable-managed
Bracket Pan/Tilt Range	Pan: $\pm 90^\circ$ (180° total) Tilt: $-48^\circ / +44^\circ$ (92° total)
Junction Box	Separate from bracket to allow for wiring and cabling prior to camera installation

### Environmental

Operating Temperature, Standard (Warm-up period required for cold start at $-40^\circ\text{C}/^\circ\text{F}$ .)	$-40^\circ\text{C}$ to $+50^\circ\text{C}$ ( $-40^\circ\text{F}$ to $122^\circ\text{F}$ )
Storage Temperature	$-40^\circ\text{C}$ to $+70^\circ\text{C}$ ( $-40^\circ\text{F}$ to $158^\circ\text{F}$ )
Operating Humidity	20% to 100% (condensing)
Storage Humidity	up to 100%
Wind load, operational	145 kph (90 mph) (sustained)
Wind load, non-operational	Gusts up to 260 kph (155 mph)

# Index

## A

- accessing controls 24
- attaching
  - pendant arm 23

## B

- Bilinx 21, 32

## C

- cable compensation 21
- coaxial cable 21
- configuration 24
- control data I/O plug 21

## D

- disposal 47

## I

- installation 18

## M

- maintenance 47
- maximum distances 21
- menu navigation 30
- mounting 15, 18

## N

- NEMA Certification
  - for pendant arm, corner or mast mount 16, 20

## O

- operation modes 31

## P

- parts list 13, 14
- pendant arm
  - attaching to power supply box 23
- polarity 21
- power supply box
  - attaching to pendant arm 23
- Pre-Comp 21

## W

- wiring
  - for pendant arm, corner or mast mount 16











**Bosch Security Systems, Inc.**

850 Greenfield Road

Lancaster, PA 17601

U.S.A.

**[www.boschsecurity.com](http://www.boschsecurity.com)**

© Bosch Security Systems, Inc., 2012